

JOB:
ITEM:
QTY:

FOLDING BREAD RACK

APPLICATION:

This bread rack is built in one piece and collapses flat for easy storage. This design is ideal for storing on truck and van delivery. Built to hold 21 1/2"x23" bread trays.

MATERIAL:

Framework is constructed out of 1"x1"x.070" wall tubing. Bread trays set on 1/2"x3/4"x.063" wall oval tubing.

CASTERS:

These racks come equipped with three 5" stem type swivel casters.

GUARANTEE:

This rack carries a **Lifetime Guarantee** against rust and corrosion and also carries a **One-Year Guarantee** against workmanship and material defects.

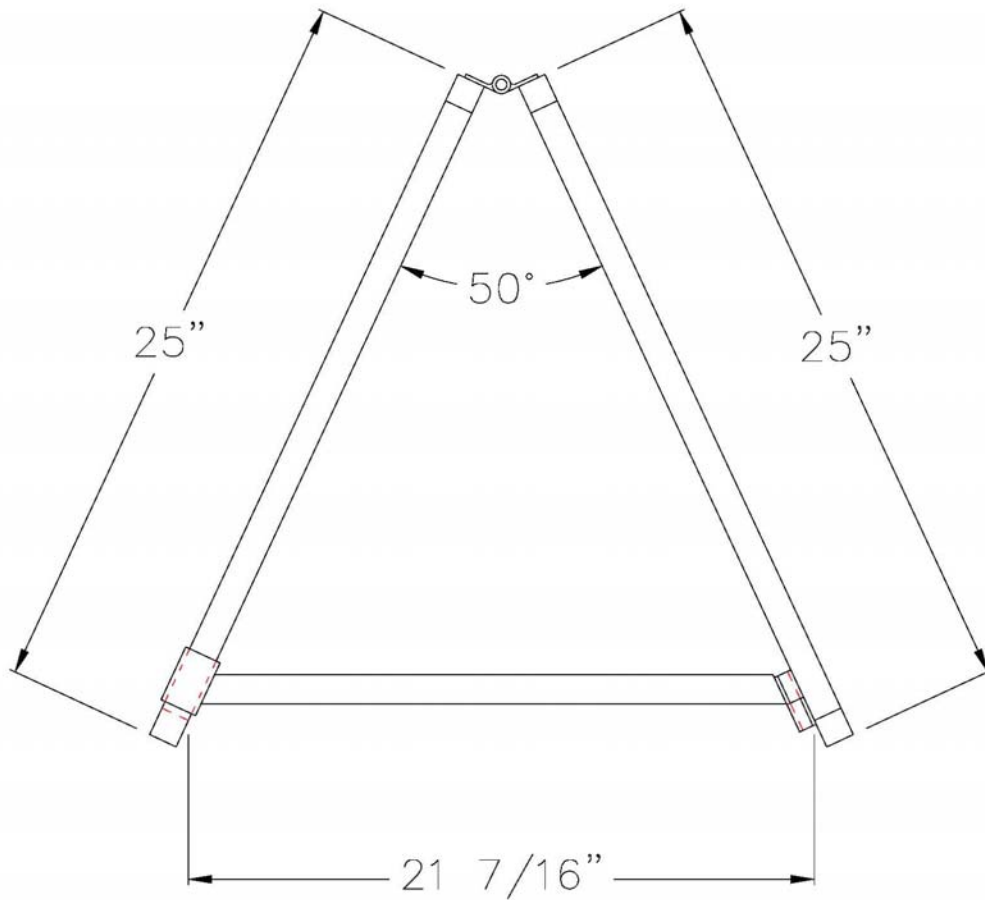


Model #97480



Phone:800-255-0104
Fax: 877-877-7687
www.newageindustrial.com
sales@newageindustrial.com

New Age Industrial reserves the right to modify or make changes at any time without notice to materials and specifications.



Model #97480

Model No.	Size-W	Size-H	Size-D	Tray Cap.	Tray Spacing
97480	24 1/4"	62 1/2"	23 1/4"	8	6"



Phone: 800-255-0104
 Fax: 877-877-7687
www.newageindustrial.com
sales@newageindustrial.com

New Age Industrial reserves the right to modify or make changes at any time without notice to materials and specifications.