



Project \_\_\_\_\_

Item # \_\_\_\_\_

Quantity \_\_\_\_\_

# Glo-Ray® Dual Mini-Merchandisers

Models: GRHW-1SGD, -1SGDS

Hatco's convenient Mini-Merchandisers create impulse sales by placing fresh product in front of customers. Using a limited amount of valuable counterspace, these flexible warmers come in a variety of shapes, sizes and colors to hold food samples, hors d'oeuvres and packaged product at just the right temperature. They are ideal for packaged product at any time of the day. Great for delis, supermarkets, convenience stores, kiosks or concession stands.

## Standard features

- GRHW-1SGD has a horizontal, stainless steel heated base and a horizontal heated glass shelf (patented)
- GRHW-1SGDS has a slanted, hardcoated heated base and a patented slanted heated glass shelf
- Pre-focused infrared top heat directs heat to the outer edges where heat loss is greatest
- Thermostatically-controlled heated base extends holding times of most foods
- Sturdy sneeze guard protects food
- Shatter-resistant incandescent lights enhance product displays while safeguarding food from bulb breakage
- Lighted rocker switch for easy On/Off
- Models come with display lights, 1" (25 mm) rubber legs, 7.5" (191 mm) Sneeze Guard, 6' (1829 mm) cord and plug



GRHW-1SGD in Standard Black with optional Sloped Front Sign Holder (sign not included)



GRHW-1SGDS in Standard Black

## Options (available at time of purchase only)

Designer Colors – Black Standard – Non-standard colors are non-returnable

- Warm Red     Black     Gray Granite     White Granite
- Navy Blue     Hunter Green     Antique Copper

Halogen Bulb in lieu of standard display light (60 watt)

Sloped Front Sign Holder

## Accessories

Chef LED 120V adjustable bulb - bulb must be rotated down

- 3000K Similar to warm halogen
- 4000K Similar to cool fluorescent

IFS anti-microbial coatings use naturally-occurring, environmentally sustainable, silver ions to help inhibit the growth of microbes on the powder coated surface. See [www.hatcocorp.com/antimicrobial-paint](http://www.hatcocorp.com/antimicrobial-paint) for more information.

For operation, location and safety information, please refer to the Installation and Operating Manual.



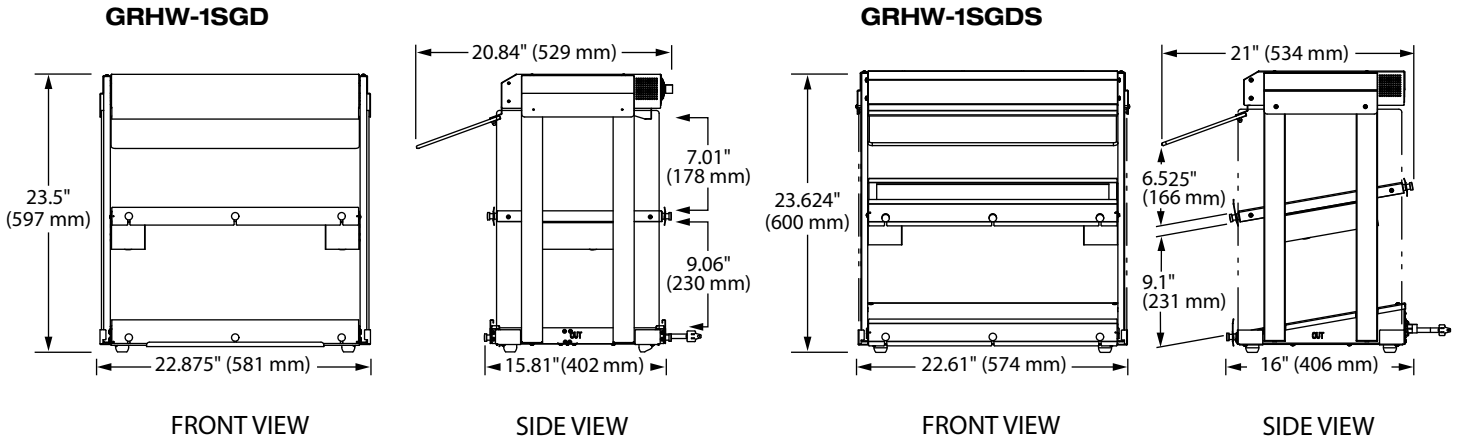
HATCO CORPORATION | P.O. Box 340500 Milwaukee, WI 53234-0500 U.S.A. | (800) 558-0607 | (414) 671-6350

[www.hatcocorp.com](http://www.hatcocorp.com) | [support@hatcocorp.com](mailto:support@hatcocorp.com) | [Find a Hatco Rep](#) | [Image Library](#) | [Document Library](#) | [Chat](#)



# Glo-Ray® Dual Mini-Merchandisers

Models: GRHW-1SGD, -1SGDS



## SPECIFICATIONS

### Glo-Ray® Mini Merchandisers - Duals

Model	Dimensions (W x D x H) Includes Sneeze Guard	Shelf Dimensions (W x D)	Volts	Watts	Amps	Plug Configuration	Ship Weight*
GRHW-1SGD	22.875" x 20.84" x 23.5" (581 x 529 x 597 mm)	Bottom Shelf: 21" x 13.25" (533 x 337 mm) Top Shelf: 21" x 14" (533 x 356 mm)	120	1330	11.1	NEMA 5-15P	40 lbs. (19 kg.)
GRHW-1SGDS	22.61" x 21" x 23.624" (574 x 534 x 600 mm)	Bottom Shelf: 21" x 14.25" (534 x 363 mm) Top Shelf: 21" x 14" (534 x 356 mm)	120	1330	11.1	NEMA 5-15P	40 lbs. (19 kg.)

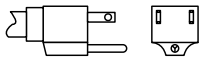
\* Shipping weight includes packaging.

## CORD LOCATION

Base end plate, same side as switch.

## PLUG CONFIGURATIONS

NEMA 5-15P



## PRODUCT SPECS

### Glo-Ray® Dual Mini-Merchandisers

The Dual Mini-Merchandiser shall be a Glo-Ray® Model ... as manufactured by the Hatco Corporation, Milwaukee, WI 53234 U.S.A.

The warmer shall be rated at ... watts, ... volts, and be ... inches (millimeters) in overall width. It shall consist of a thermostatically-controlled heated base, infrared heat from above, a patented heated glass center shelf, sneeze guard, incandescent display

lights, 1" (25 mm) rubber legs, Designer Black anti-microbial paint and a 6' (1829 mm) cord with plug attached.

Options shall include Designer Color anti-microbial paint, Halogen Bulb, and Sloped Front Sign Holder. Accessories include Chef LED Bulbs.

Warranty consists of 24/7 parts and service assistance (U.S. and Canada only).

HATCO CORPORATION | P.O. Box 340500 Milwaukee, WI 53234-0500 U.S.A. | (800) 558-0607 | (414) 671-6350



[www.hatcocorp.com](http://www.hatcocorp.com) | [support@hatcocorp.com](mailto:support@hatcocorp.com) | [Find a Hatco Rep](#) | [Image Library](#) | [Document Library](#) | [Chat](#)