



# HOSHIZAKI

## Parts Manual

## Back Bar Equipment

### Models

BB 59 S

BB 69 S

BB 80 S

BB 95 S

BB G 59 S

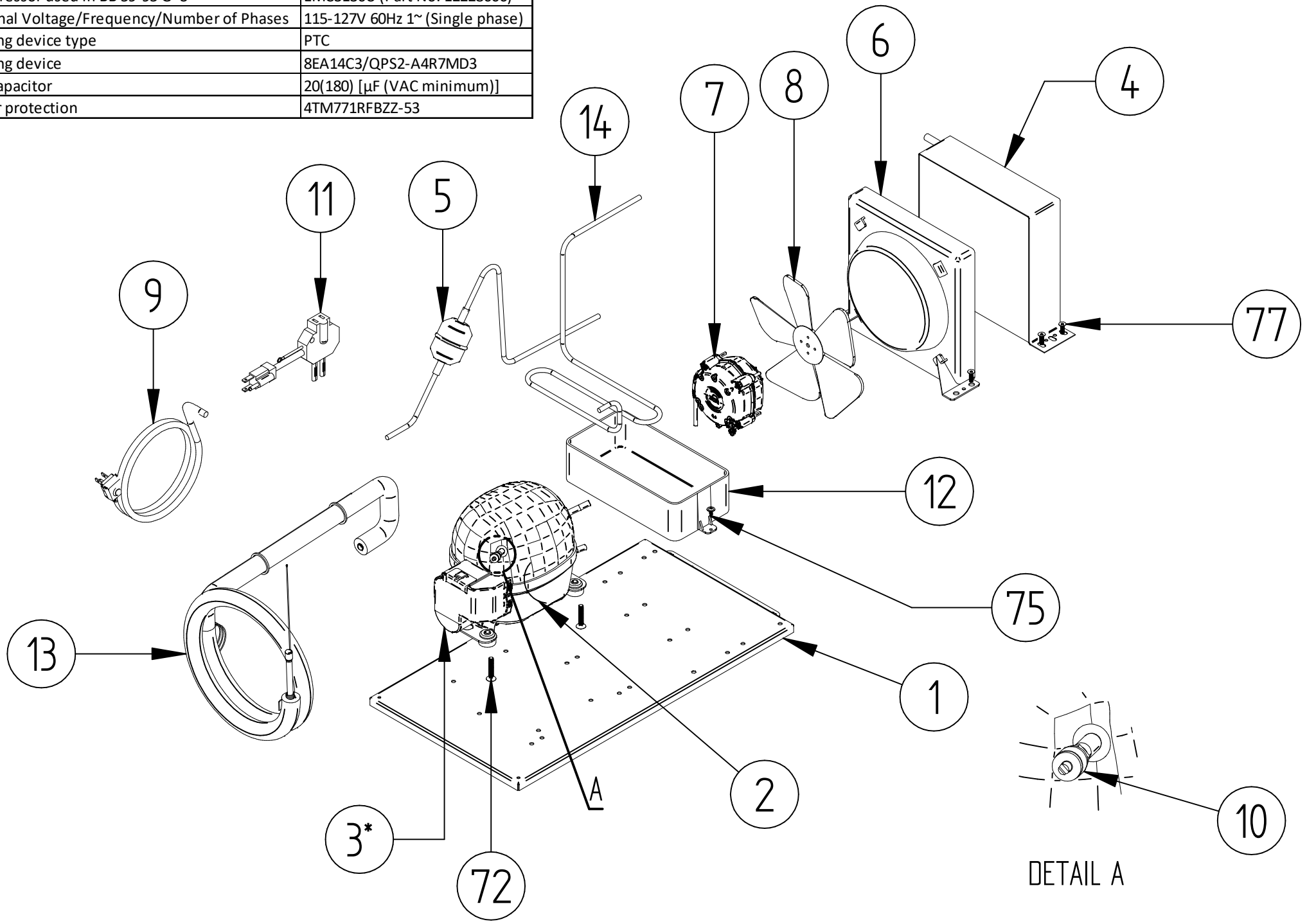
BB G 69 S

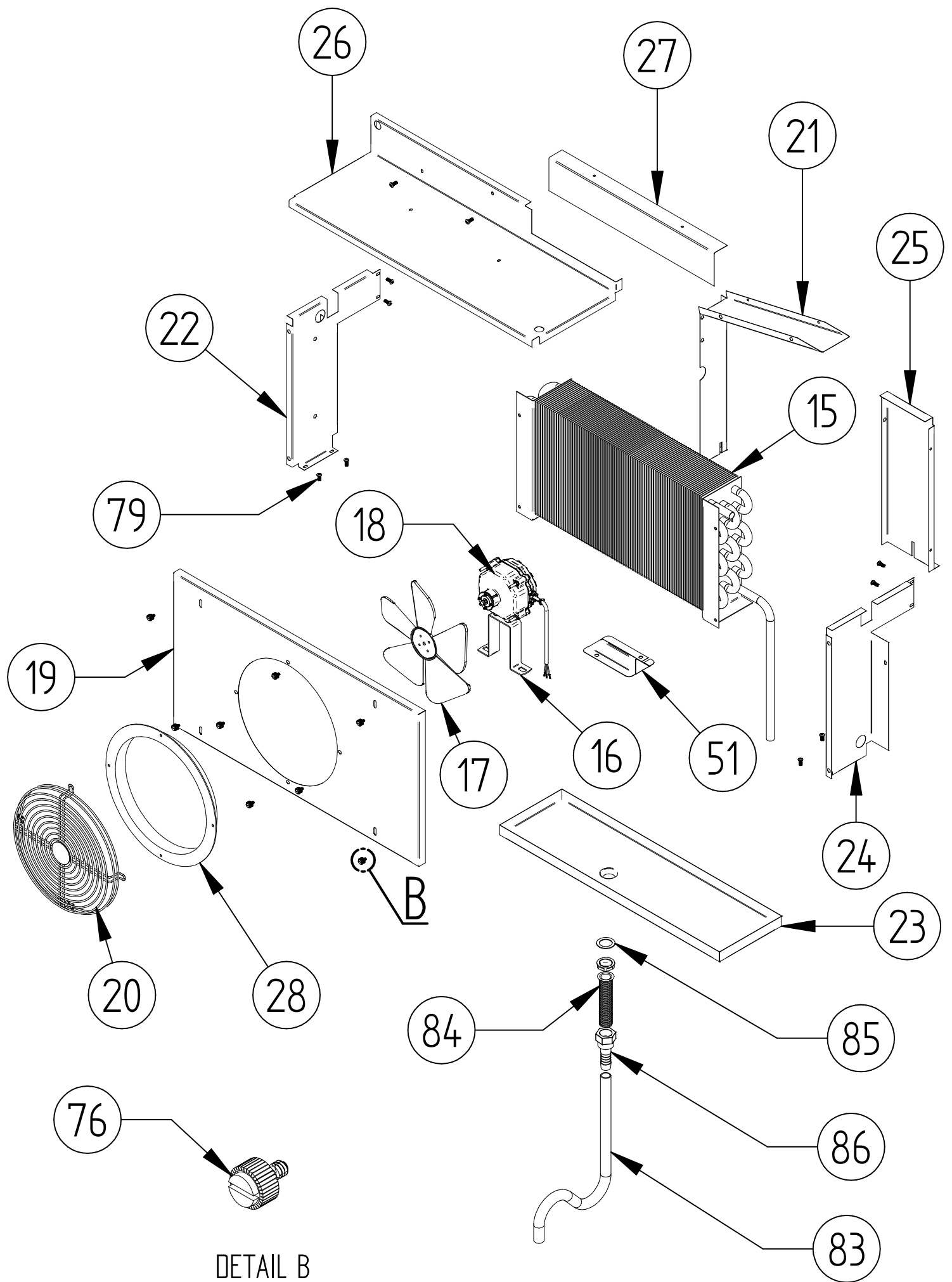
BB G 80 S

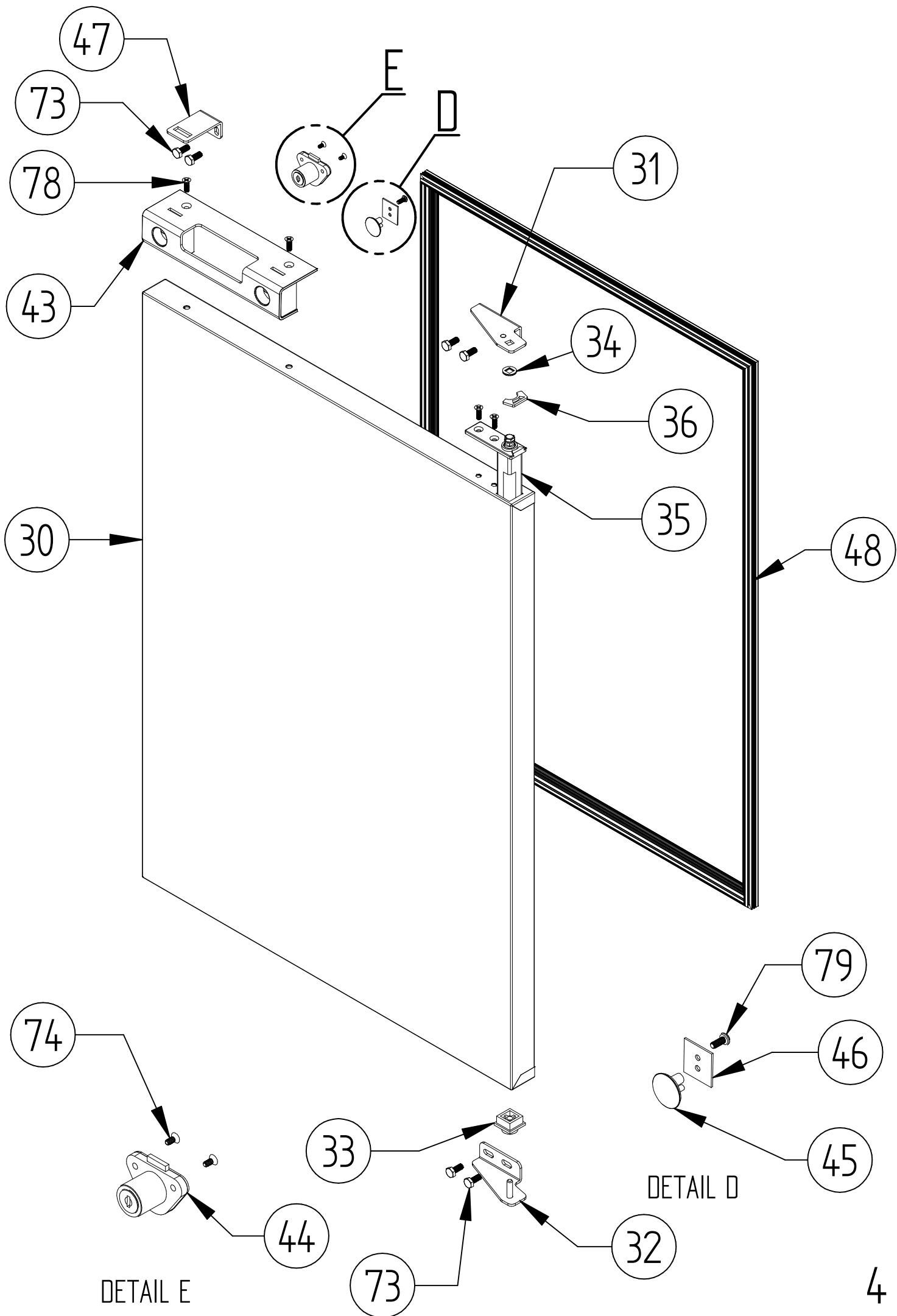
BB G 95 S

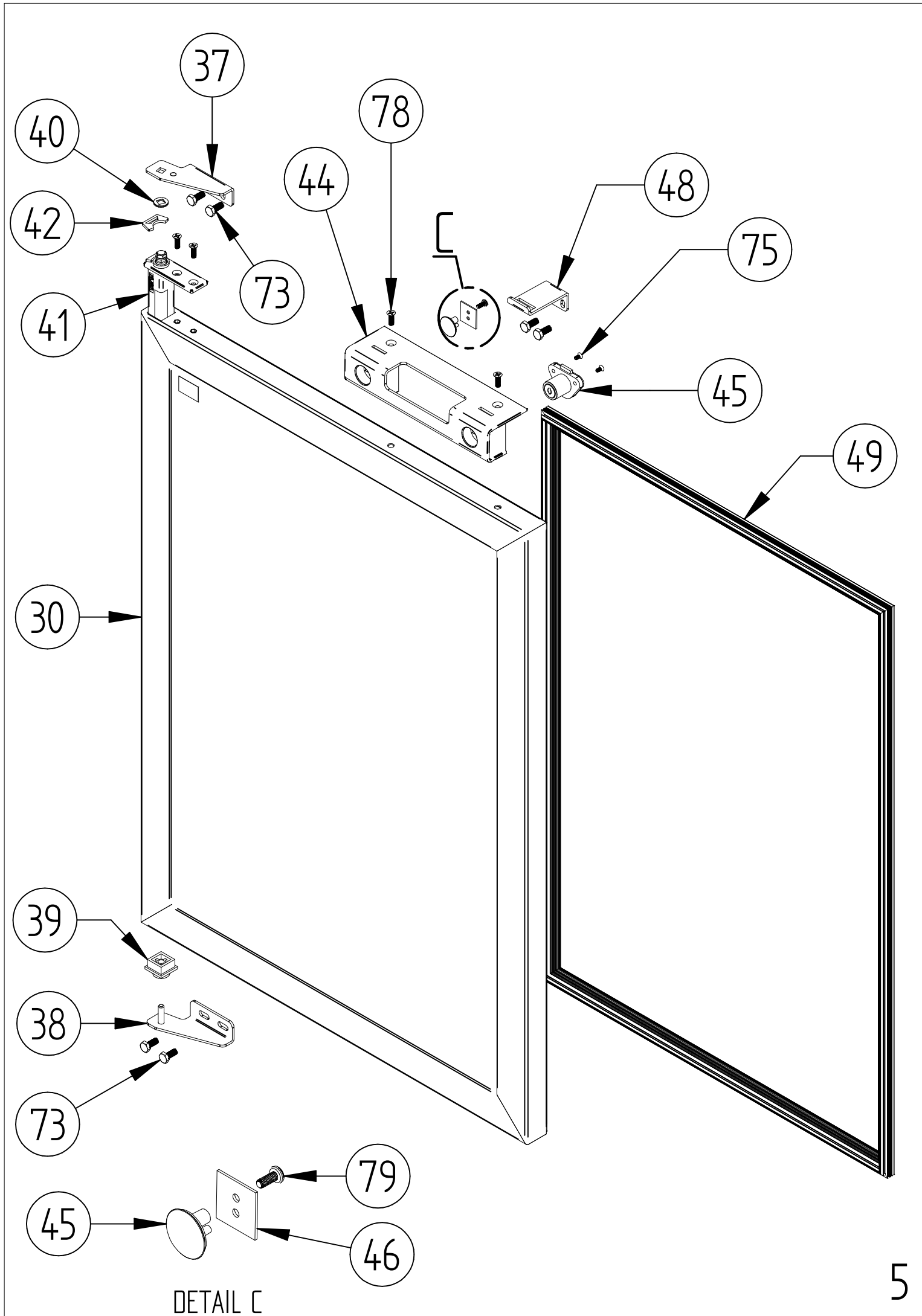
# 3\* STAR KIT

Compressor used in BB 59-95 G-S	EMC3130U (Part No. 12228006)
Nominal Voltage/Frequency/Number of Phases	115-127V 60Hz 1~ (Single phase)
Starting device type	PTC
Starting device	8EA14C3/QPS2-A4R7MD3
Run capacitor	20(180) [ $\mu$ F (VAC minimum)]
Motor protection	4TM771RFBZZ-53

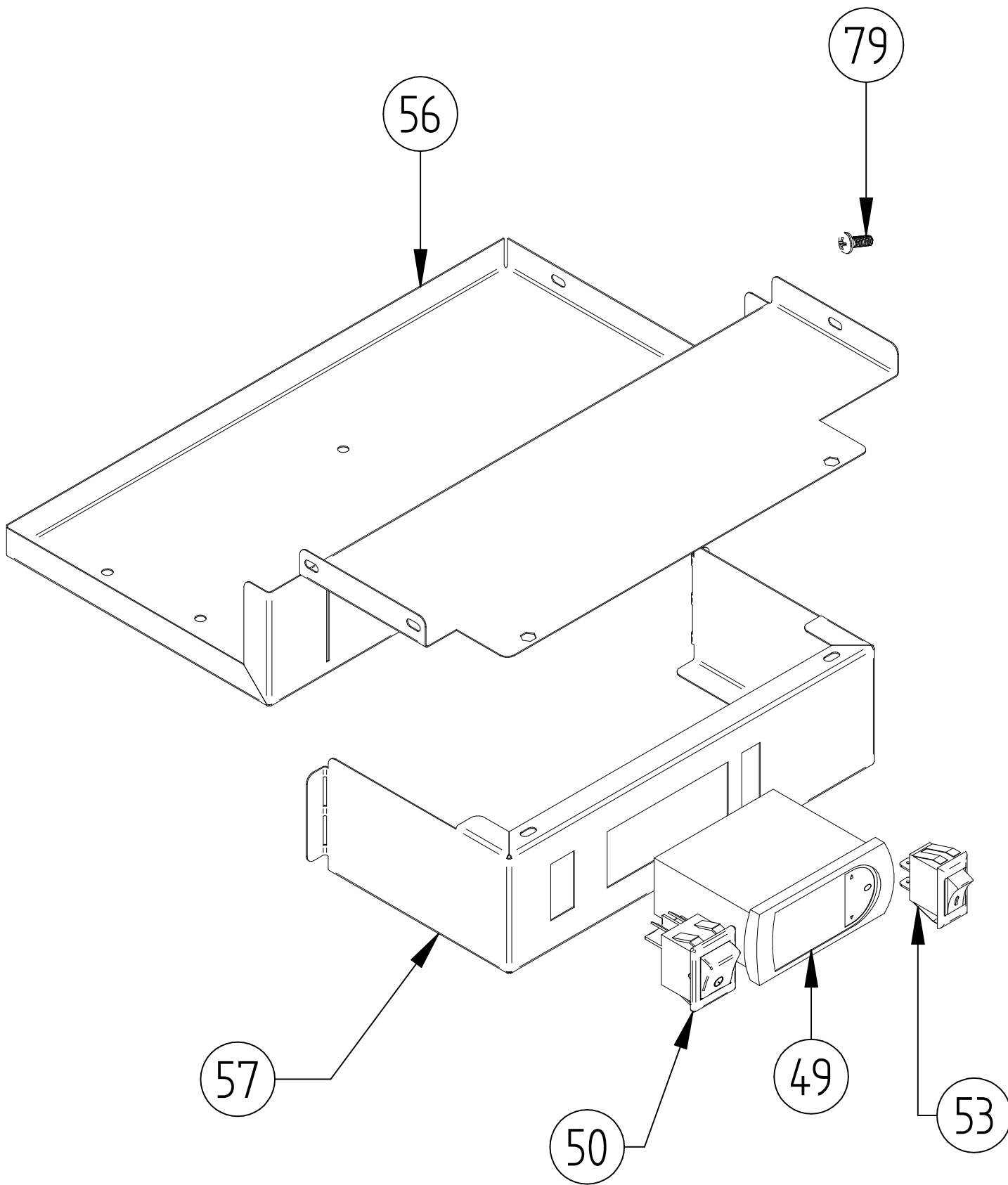


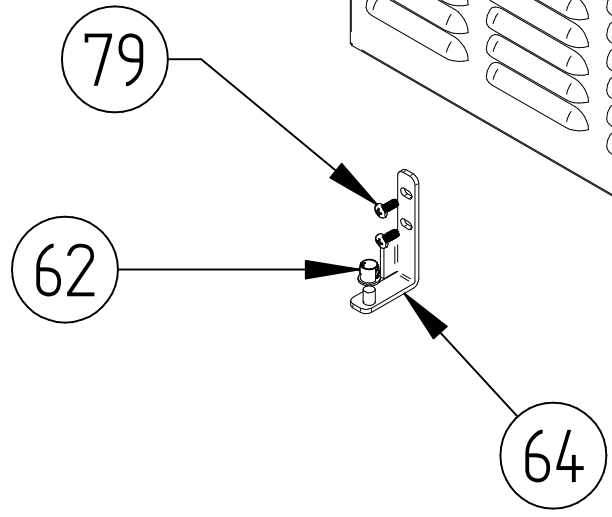
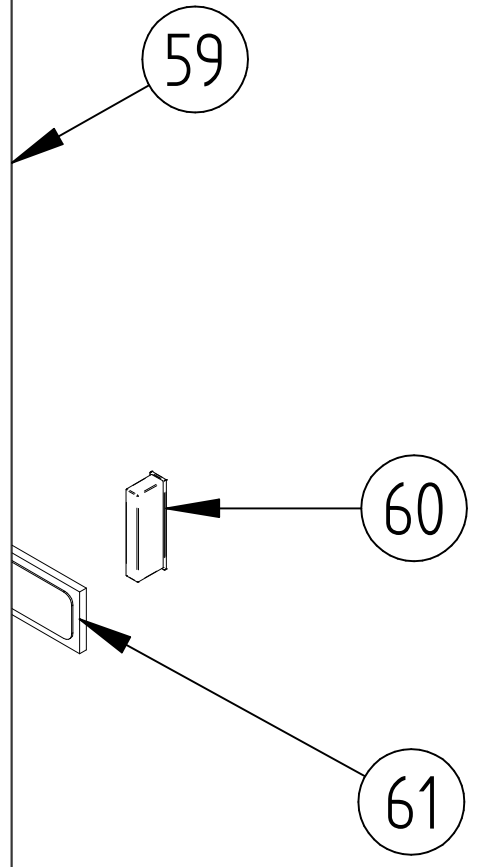
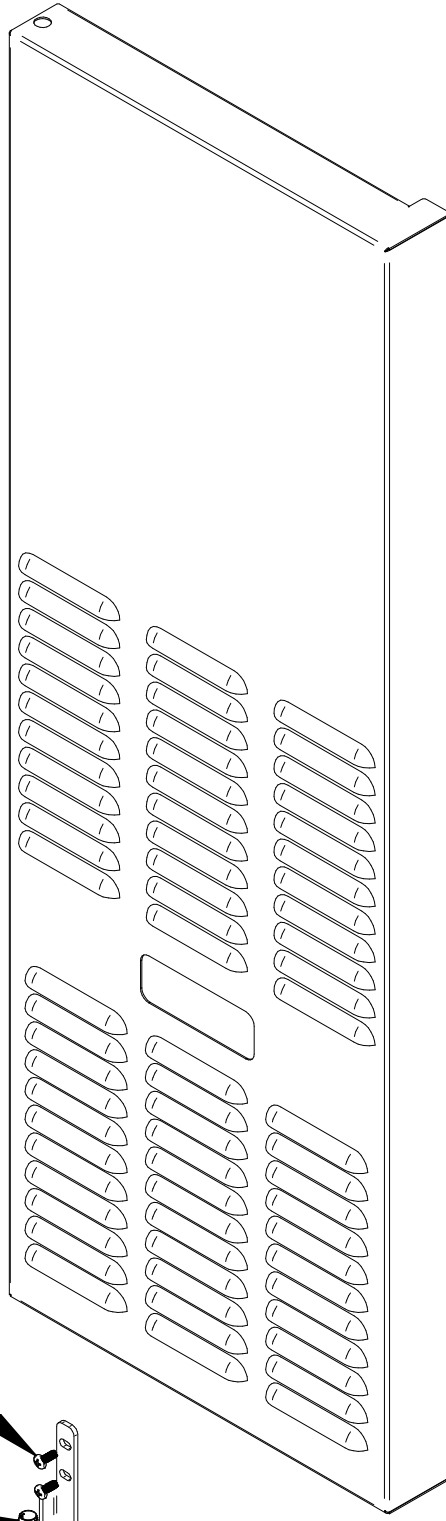
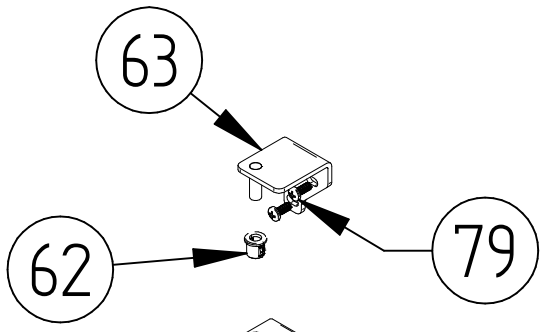






DETAIL C



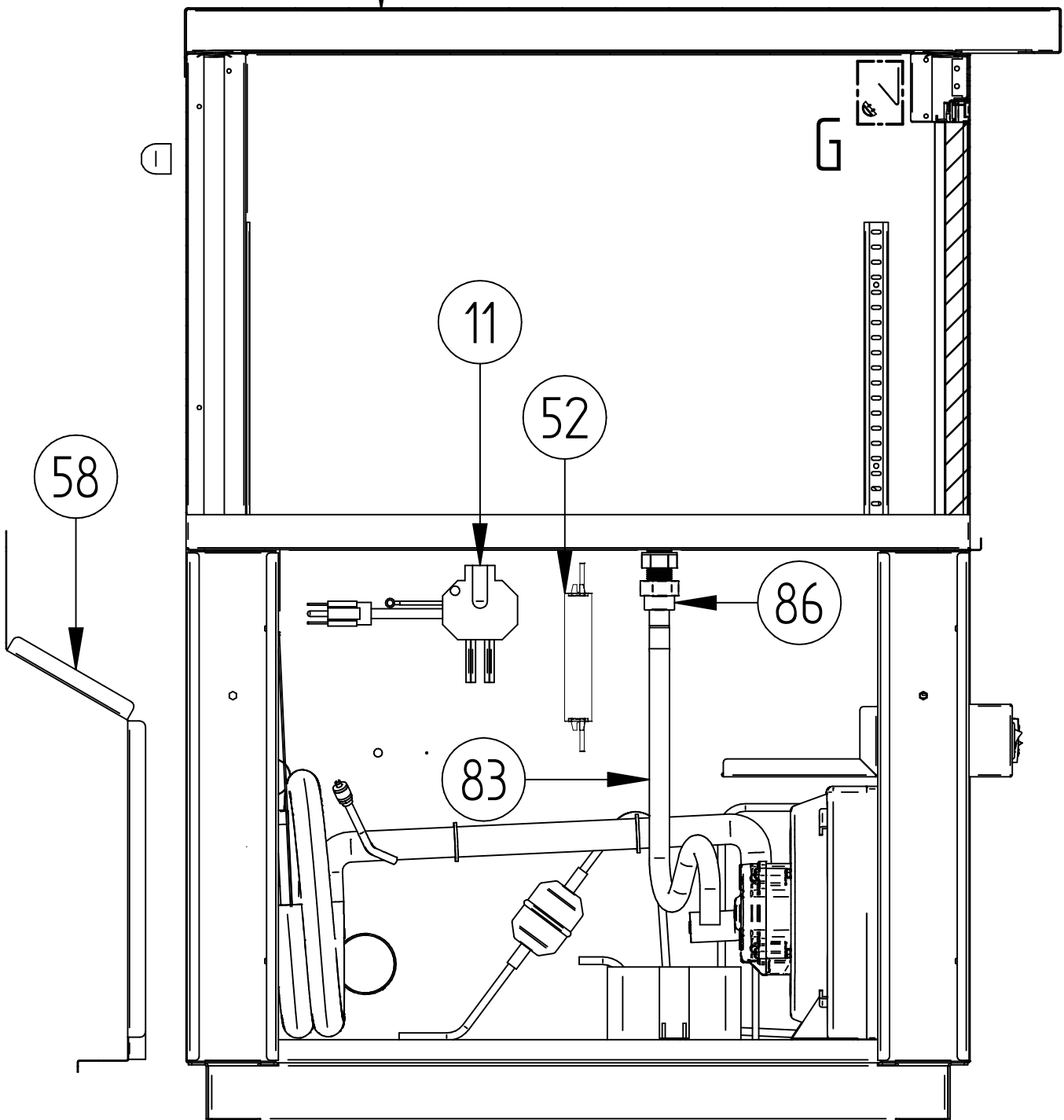


29

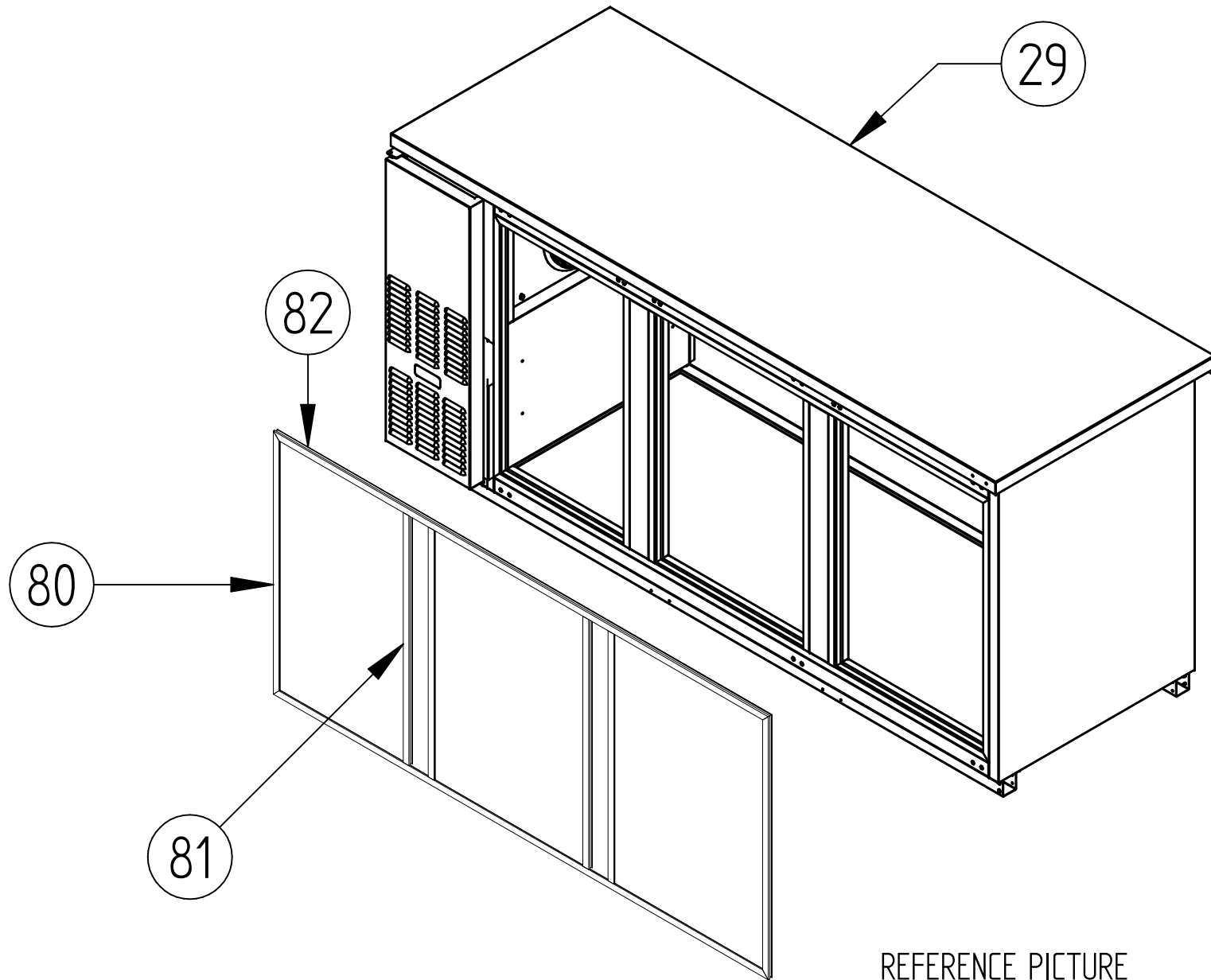
54

55

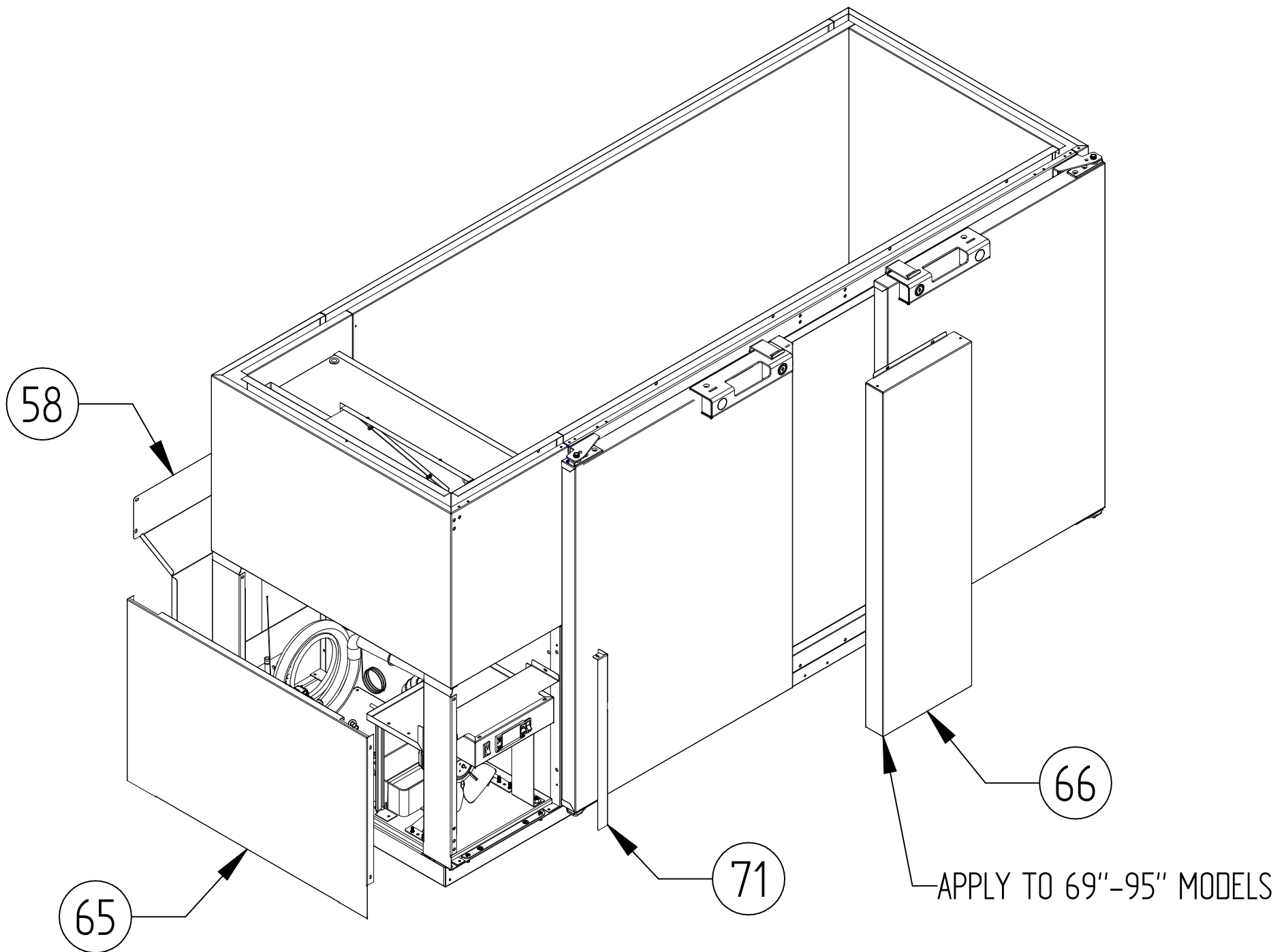
DETAIL G

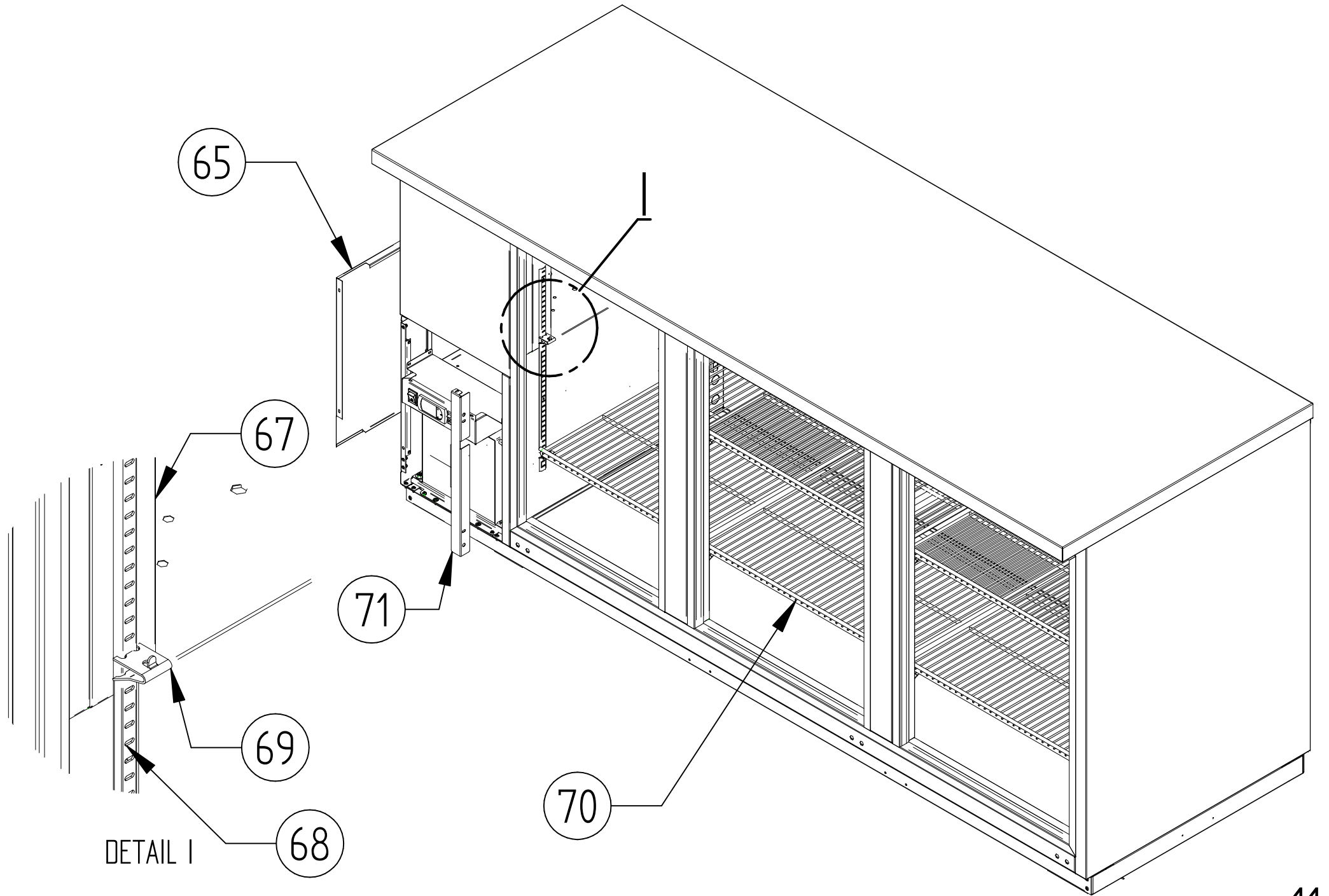






REFERENCE PICTURE





# ITEM	PART NUMBER	DESCRIPTION	BB 59 S	BB 69 S	BB 80 S	BB 95 S	BB G 59 S	BB G 69 S	BB G 80 S	BB G 95 S
<b>Condensing Units</b>										
	<b>12233519</b>	<b>CONDENSING UNIT</b>	1	1	1	1	1	1	1	1
1	12195862	DECK	1	1	1	1	1	1	1	1
2	12228006	COMPRESSOR	1	1	1	1	1	1	1	1
3	*	START KIT	1	1	1	1	1	1	1	1
4	12190812	CONDENSER	1	1	1	1	1	1	1	1
5	12188004	DRIER	1	1	1	1	1	1	1	1
6	12189983	FAN SUPPORT	1	1	1	1	1	1	1	1
7	12190510	FAN MOTOR	1	1	1	1	1	1	1	1
8	12190018	FAN BLADE	1	1	1	1	1	1	1	1
9	12190608	POWER CORD	1	1	1	1	1	1	1	1
10	12037369	SCHRADER VALVE	1	1	1	1	1	1	1	1
11	12201656	POWER CORD(SPIDER HUB)	1	1	1	1	1	1	1	1
12	12189560	AUTOMATIC EVAPORATION TRAY	1	1	1	1	1	1	1	1
13	12239998	HEAT EXCHANGER	1	1	1	1	1	1	1	1
14	12200322	DISCHARGE LINE	1	1	1	1	1	1	1	1
<b>Evaporation Units</b>										
	<b>12233521</b>	<b>EVAPORATION UNIT</b>	1	1	1	1	1	1	1	1
15	12190777	EVAPORATOR COIL	1	1	1	1	1	1	1	1
16	12191294	FAN SUPPORT	1	1	1	1	1	1	1	1
17	12190018	FAN BLADE	1	1	1	1	1	1	1	1
18	12190510	FAN MOTOR	1	1	1	1	1	1	1	1
19	12206313	EVAPORATOR SHROUD	1	1	1	1	1	1	1	1
20	12190728	FAN GRILL	1	1	1	1	1	1	1	1
21	12194245	ANGULAR DEFLECTOR	1	1	1	1	1	1	1	1
22	12194247	DEFLECTOR LEFT	1	1	1	1	1	1	1	1
23	12193839	EVAPORATION TRAY	1	1	1	1	1	1	1	1
24	12194246	DEFLECTOR RIGHT	1	1	1	1	1	1	1	1
25	12194248	CLOUSURE	1	1	1	1	1	1	1	1
26	12194249	TOP COVER	1	1	1	1	1	1	1	1
27	12194250	TOP DEFLECTOR	1	1	1	1	1	1	1	1
28	12190068	FAN SHROUD	1	1	1	1	1	1	1	1

# ITEM	PART NUMBER	DESCRIPTION	BB 59 S	BB 69 S	BB 80 S	BB 95 S	BB G 59 S	BB G 69 S	BB G 80 S	BB G 95 S
<b>Top</b>										
	12201941	TOP ASSEMBLY 59	1				1			
29	12201944	TOP ASSEMBLY 69		1				1		
	12201943	TOP ASSEMBLY 80			1				1	
	12201947	TOP ASSEMBLY 95				1				1
<b>Doors &amp; Others</b>										
	12210335	DOOR SS	2	2	2	3				
30	12210339	DOOR 79 SS			1					
	12203179	GLASS DOOR SS					1	1	2	3
	12203182	GLASS DOOR 79 SS							1	
	<b>12202821</b>	<b>RIGHT HINGE KIT</b>	1	1	2	2	1	1	2	2
31	12191308	TOP HINGE	1	1	2	2	1	1	2	2
32	12191306	BOTTOM HINGE	1	1	2	2	1	1	2	2
33	12190016	SPACER	1	1	2	2	1	1	2	2
34	12195539	WASHER	2	2	4	4	2	2	4	4
35	12195118	HINGE CARTRIDGE	1	1	2	2	1	1	2	2
36	12195119	STOP HINGE	1	1	2	2	1	1	2	2
	<b>12202822</b>	<b>LEFT HINGE KIT</b>	1	1	1	1	1	1	1	1
37	12191309	LEFT TOP HINGE	1	1	1	1	1	1	1	1
38	12191307	LEFT BOTTOM HINGE	1	1	1	1	1	1	1	1
39	12190016	SPACER	1	1	2	2	1	1	2	2
40	12195539	WASHER	2	2	4	4	2	2	4	4
41	12195118	HINGE CARTRIDGE	1	1	2	2	1	1	2	2
42	12195119	STOP HINGE	1	1	2	2	1	1	2	2
	<b>12202998</b>	<b>HANDLE KIT</b>	2	2	3	3	2	2	3	3
43	12211931	RIGHT HANDLE	2	2	3	3	2	2	3	3
44	12190887	LOCK	2	2	3	3	2	2	3	3
45	12211932	PLATE	2	2	3	3	2	2	3	3
46	12195809	SUPPORT PLATE	2	2	3	3	2	2	3	3
47	12195087	LOCK STOP	2	2	3	3	2	2	3	3
48	12191258	GASKET	2	2	2	2	1	1	2	2
	12191259	GASKET			1				1	

# ITEM	PART NUMBER	DESCRIPTION	BB 59 S	BB 69 S	BB 80 S	BB 95 S	BBG 59 S	BBG 69 S	BBG 80 S	BBG 95 S
<b>Controllers &amp; Other</b>										
49	12188079	CAREL CONTROLLER	1	1	1	1	1	1	1	1
50	12190513	ROCKER SWITCH 20AMP	1	1	1	1	1	1	1	1
51	12188080	PROBE NTC030HP00 CAREL	1	1	1	1	1	1	1	1
52	12190580	DRIVER LED	1	1	1	1	1	1	1	1
53	12037353	LIGHT SWITCH	1	1	1	1	1	1	1	1
54	12194279	LAMP SUPPORT	1	1			1	1		
	12194278	LAMP SUPPORT			1	1			1	1
55	12190586	LED LIGHT	1	1			1	1		
	12190587	LED LIGHT			1	1			1	1
56	12226884	CONTROLLER DEFLECTOR SS	1	1	1	1	1	1	1	1
57	12226887	CONTROLLER SUPPORT SS	1	1	1	1	1	1	1	1
<b>Panels</b>										
58	12206591	BACK PANEL SS	1	1	1	1	1	1	1	1
59	12222036	FRONT PANEL SS	1	1	1	1	1	1	1	1
60	12190968	CATCH MAG DOOR	1	1	1	1	1	1	1	1
61	12191187	ACRY LIC LENS	1	1	1	1	1	1	1	1
62	12213300	SNAP BUSHING	2	2	2	2	2	2	2	2
63	12216175	TOP HINGE	1	1	1	1	1	1	1	1
64	12216178	BOTTOM HINGE	1	1	1	1	1	1	1	1
65	12206184	PANEL SIDE SS	1	1	1	1	1	1	1	1
66	12226950	DOORS PANEL 69 SS		1				1		
	12207876	DOORS PANEL 95 SS				2				2
<b>Shelves</b>										
67	12206325	PILASTER SUPPORT	1	1	1	1	1	1	1	1
68	12190900	PILASTER 20.2"	8	8	12	12	8	8	12	12
69	12188096	SS CLIP	16	16	24	24	16	16	24	24
70	12190688	FLAT RACK FOR 59-80	4		2		4		2	
	12190691	FLAT RACK FOR 69-95		4		6		4		6
	12190689	FLAT RACK FOR 80 CENTER			2				2	
	12190690	FLAT RACK FOR 80 LEFT			2				2	

# ITEM	PART NUMBER	DESCRIPTION	BB 59 S	BB 69 S	BB 80 S	BB 95 S	BB G 59 S	BB G 69 S	BB G 80 S	BB G 95 S
<b>Other</b>										
71	12206442	RIGHT LIGHT TRIM SS	1	1	1	1	1	1	1	1
72	12191519	COMPRESSOR SCREW MOUNT	4	4	4	4	4	4	4	4
73	12189583	SCREW M6X16	14	14	20	20	14	14	20	20
74	12191590	SCREW FLAT HEAD M4 X 10	4	4	6	6	4	4	6	6
75	12191506	SCREW DRILL 8X1/2"	4	4	4	4	4	4	4	4
76	12189959	MANUAL SCREW M4X12	10	10	10	10	10	10	10	10
77	12191518	SCREW ALLEN 6X16	6	6	6	6	6	6	6	6
78	12191589	SCREW FLAT HEAD 10-32 X 5/8"	12	12	18	18	12	12	18	18
79	12189582	SCREW M4X10 SS	20	20	20	20	20	20	20	20
<b>Plastic Frame</b>										
	12200483	SIDE STRIP	2				2			
80	12200484	SIDE STRIP		2				2		
	12200485	SIDE STRIP			2				2	
	12200486	SIDE STRIP				2				2
81	12200487	CENTRAL STRIP	2	2	4	4	2	2	4	4
82	12200510	TOP STRIP	2	2	2	2	2	2	2	2
<b>Drain</b>										
83	12190467	DRAIN HOSE	1	1	1	1	1	1	1	1
84	12037642	DRAIN	1	1	1	1	1	1	1	1
85	12189956	RUBBER JOINT	1	1	1	1	1	1	1	1
86	12190069	ADAPTER HOSE COUPLING	1	1	1	1	1	1	1	1

## **HOSHIZAKI AMERICA, INC.**

618 Hwy. 74 South, Peachtree City, GA 30269 USA (P) 770.487.2331 (F) 770.487.3360 [hoshizakiamerica.com](http://hoshizakiamerica.com)