



# HOSHIZAKI

## Parts List

Modular Crescent Cuber

Models

KM-23 IBAJ

KM-30 IBAJ, BWJ



[hoshizakiamerica.com](http://hoshizakiamerica.com)

Number: 71426  
Issued: 6-28-2019  
Revised: 2-13-2020

## CONTENTS

Auxiliary Codes.....	3
Note About Ordering Parts .....	3
A. Main Assembly .....	4
B. Refrigeration Circuit.....	7
KM-231BAJ, KM-301BAJ .....	7
KM-301BWJ .....	9
C. Water Circuit.....	11
D. Control Box Assembly.....	13
E. Accessories & Labels .....	14

## **Auxiliary Codes**

### **KM-231BAJ**

J-0 March 2019

J-1 December 2019

### **KM-301BAJ**

J-0 March 2019

### **KM-301BWJ**

J-0 March 2019

## **Auxiliary Code Breakdown**

The auxiliary code is the first two characters in the serial number. The first character indicates the year. Years progress or regress in alphabetical order. The series runs from "A" through "V" and the letters "I" and "O" are skipped. The second character indicates significant part changes within a year. Base is "0" and this number advances for each change. In cases where there is a letter in parentheses, this designates the month. This is the last character in the serial number. The series runs from "(A)" through "(M)" and the letter "(I)" is skipped. This designation is only included when identifying a parts change within an auxiliary code.

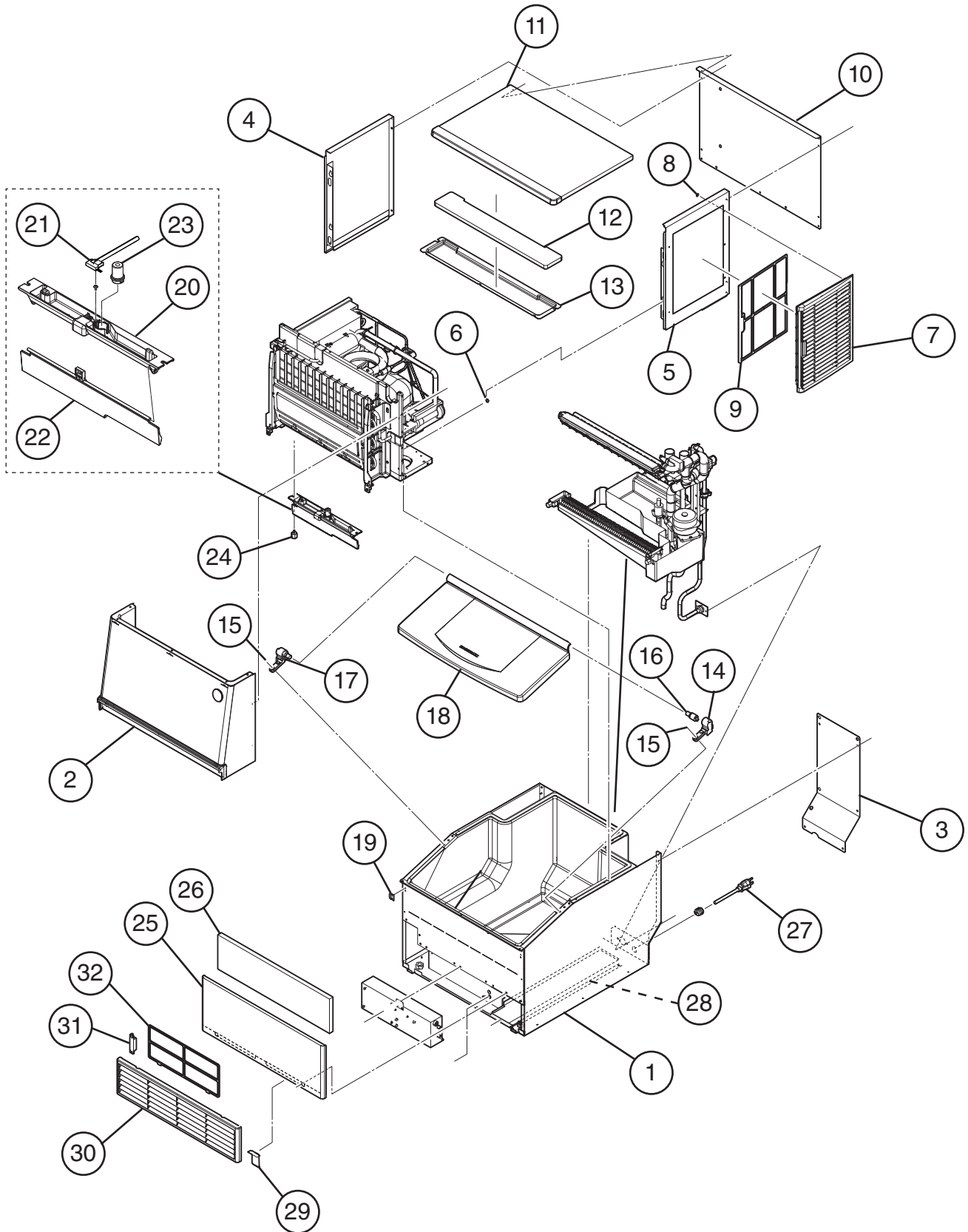
## **Note About Ordering Parts**

Most assemblies cannot be ordered as complete units; parts in the assemblies generally must be ordered separately.

# A. Main Assembly

KM-231BAJ, KM-301BAJ, KM-301BWJ

J-0, J-1

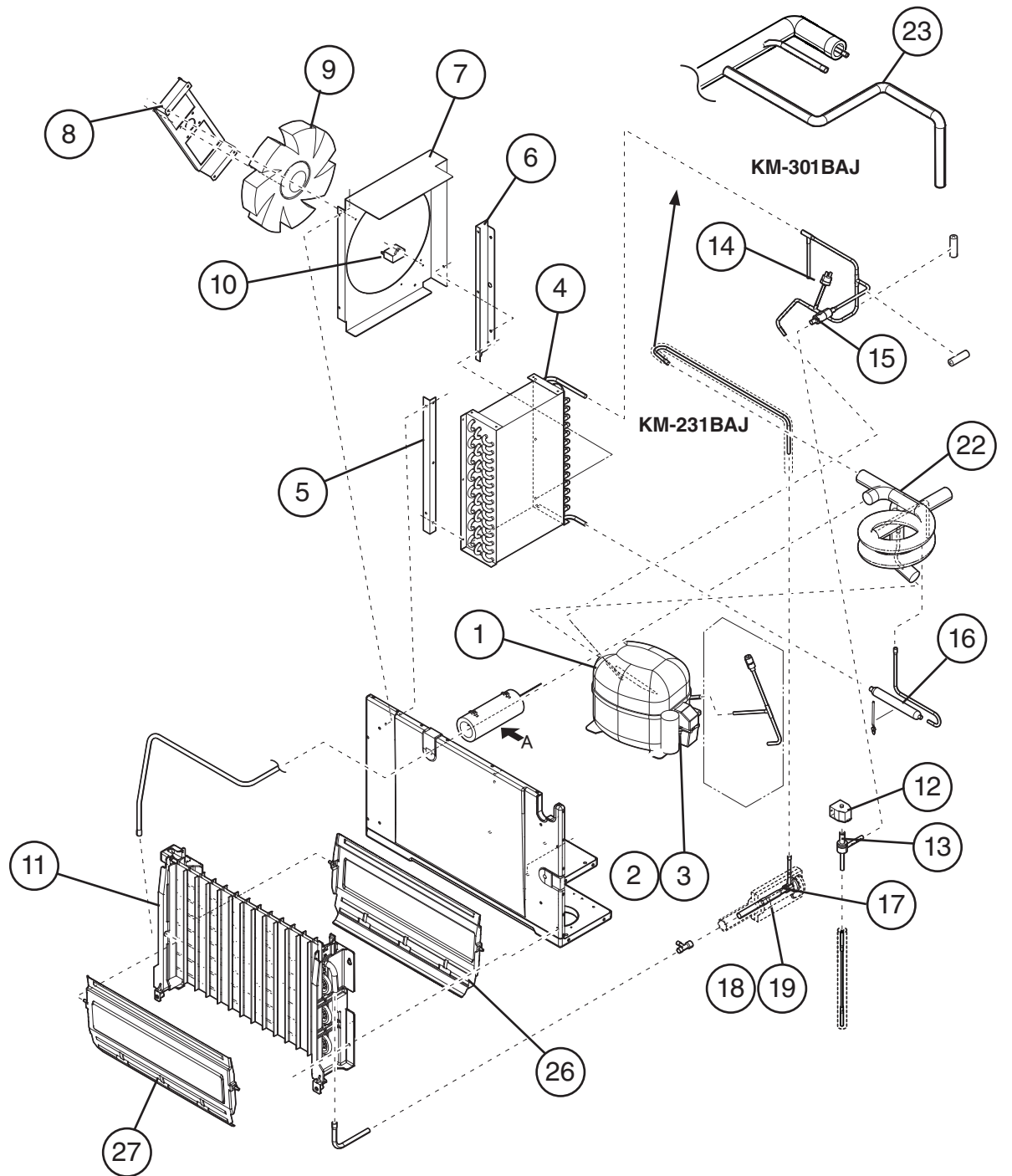


**Title: A. Main Assembly Model: KM-231BAJ, KM-301BAJ, KM-301BWJ**

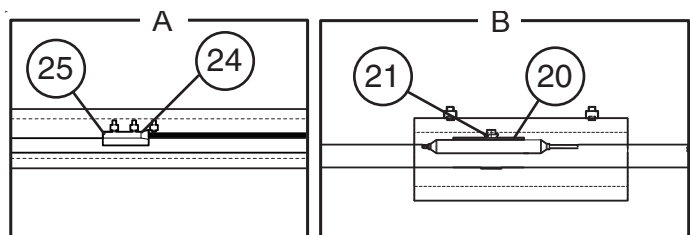
Index No.	Description	Material or Model Number	Part Number	Required Number									
				J-0	J-1								
<b>Main Assembly</b>													
1	Bin Assembly	KM-231BAJ	118999G02	1									
		KM-301BAJ	118990G02	1									
		KM-301BWJ	118990G04	1									
2	Front Cover	KM-231BAJ	2A9327G02	1									
		KM-301BAJ	2A9169G02	1									
		KM-301BWJ											
3	Rear Cover		371199M01	1									
4	Left Side Panel		2A9106G02	1									
5	Right Side Panel	KM-231BAJ	2A9105G02	1									
		KM-301BAJ											
		KM-301BWJ	2A9105G03	1									
6	Taper Collar		4H0171-01	4									
7	Louver B	KM-231BAJ	1A0548-01	1									
		KM-301BAJ											
9	Air Filter B	KM-231BAJ	2A2063G01	1									
10	Rear Panel	KM-231BAJ	371248M01	1									
		KM-301BAJ	371000M01	1									
		KM-301BWJ	371000M02	1									
11	Top Panel	KM-231BAJ	4A6546G02	1									
		KM-301BAJ	4A6519G02	1									
		KM-301BWJ											
12	Top Insulation	KM-231BAJ	472571P01	1									
		KM-301BAJ	472444P01	1									
		KM-301BWJ											
13	Top Cover	KM-231BAJ	255268P01	1									
		KM-301BAJ	254953P01	1									
		KM-301BWJ											
14	Right Hinge Mount		370969P01	1									
15	Pan Head Machine Screw (spring washer)		7C1220516	4									
16	Hinge		P01080-01	1									
17	Left Hinge Mount		370970P01	1									
18	Door Assembly	KM-231BAJ	371214G01	1									
		KM-301BAJ	370980G01	1									
		KM-301BWJ											
19	Clamp		4A6669-01	2									
20	Actuator Base		118845P01	1									
21	Reed Switch G		4A6593G01	1									
22	Actuator	KM-231BAJ	370981G01	1									
		KM-301BAJ	371416G01	1									
		KM-301BWJ											
23	Grommet E		472446R01	1									
24	Thumbscrew		415949G12	2									
25	Front Panel	KM-231BAJ	4A6523-03	1									
		KM-301BAJ	4A6523-04	1									
		KM-301BWJ											
26	Front Insulation	KM-231BAJ	472743P01	1									
		KM-301BAJ	472742P01	1									
		KM-301BWJ											

Title: A. Main Assembly    Model: KM-231BAJ, KM-301BAJ, KM-301BWJ												
Index No.	Description	Material or Model Number	Part Number	Required Number								
				J-0								
27	Power Supply Cord		P00004-01	1								
28	Wire Cover		376185M01	1								
29	Barrier		482909M01	1								
30	Louver (includes items 31 and 32)	<b>KM-231BAJ</b>	2A9339A01	1								
		<b>KM-301BAJ</b>	2A9340A01	1								
		<b>KM-301BWJ</b>	2A9340A02	1								
31	Magnet Catch		P01032-01	2								
32	Air Filter	<b>KM-231BAJ</b>	371154G01	1								
		<b>KM-301BAJ</b>										

**B. Refrigeration Circuit**  
**KM-231BAJ, KM-301BAJ**  
 J-0, J-1



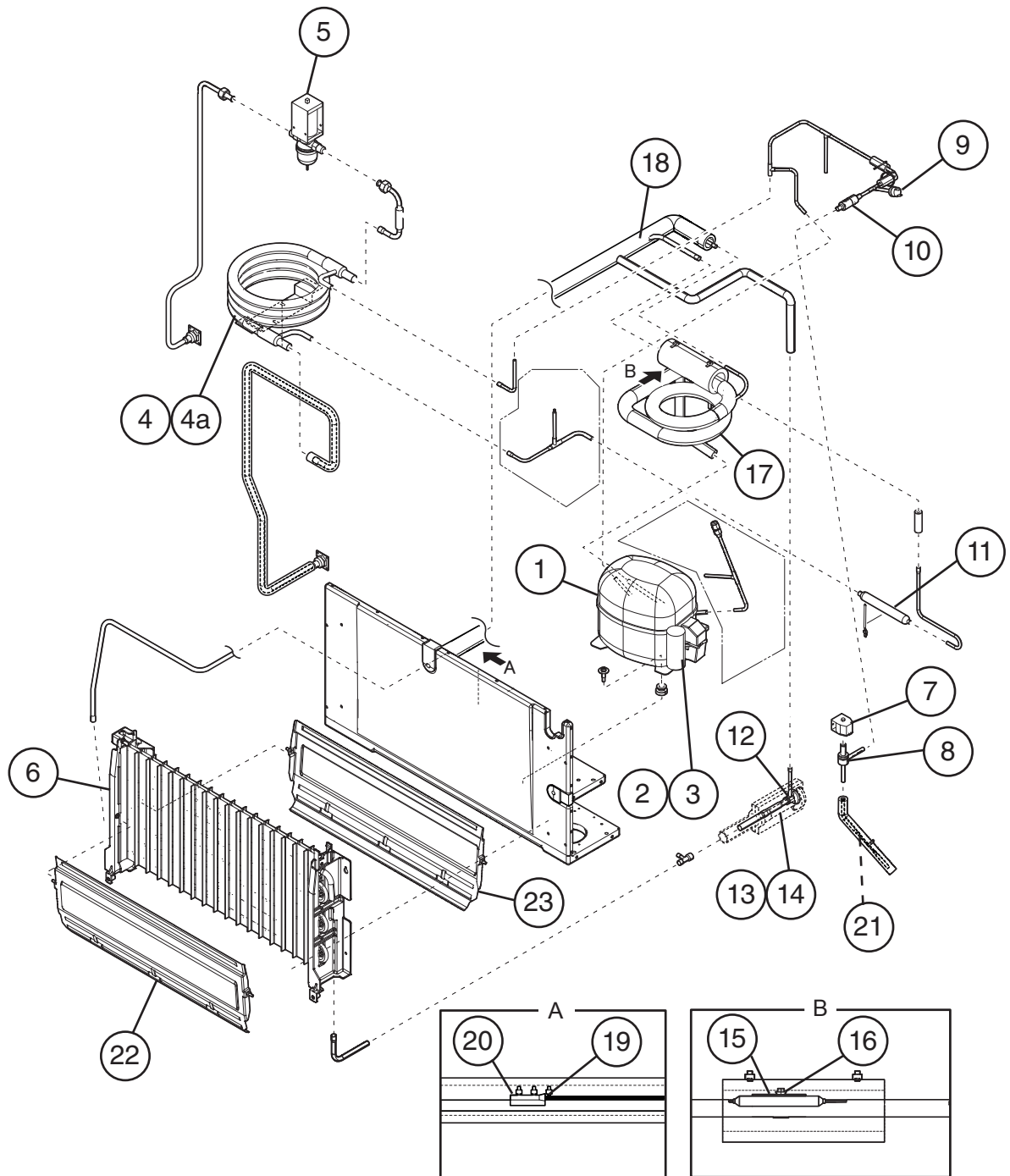
Model Shown: KM-231BAJ



Title: B. Refrigeration Circuit Model: KM-231BAJ, KM-301BAJ												
Index No.	Description	Material or Model Number	Part Number	Required Number								
				J-0								J-1
<b>Refrigeration Circuit</b>												
1	Compressor (external protector)	<b>KM-231BAJ</b> NF7CLX 115V 60Hz	4A4185-01	1								
	Compressor (internal protector)	<b>KM-301BAJ</b> SC100CL 115V 60Hz	P01081-01	1								
2	Start Relay (includes external protector)	<b>KM-231BAJ</b>	4A2135-04	1								
	Start Relay	<b>KM-301BAJ</b>	4A3113-01	1								
3	Start Capacitor	<b>KM-231BAJ</b> 320MFD, 125VAC	4A2134-04	1								
		<b>KM-301BAJ</b> 240MFD, 125VAC	4A2134-03	1								
4	Condenser	<b>KM-231BAJ</b>	P00823-01	1								
		<b>KM-301BAJ</b>	P00822-01	1								
5	Condenser Bracket A		472458M01	1								
6	Condenser Bracket B		472463M01	1								
7	Shroud	<b>KM-231BAJ</b>	255353M01	1								
		<b>KM-301BAJ</b>	255381M01	1								
8	Fan Motor Bracket		371200M01	1								
9	Fan Motor		384348G01	1								
10	Fan Motor Capacitor	6 MFD, 220VAC	443158-02	1								
11	Evaporator Assembly	<b>KM-231BAJ</b>	4A6540G01	1								
		<b>KM-301BAJ</b>	4A6539G01	1								
12	Coil Valve		384347G01	1								
13	Valve Body		4A3978-01	1								
14	High-Pressure Switch	<b>KM-231BAJ</b>	463180-04	1								
		<b>KM-310BAJ</b>	463180-01	1								
15	Strainer		441569-02	1								
16	Drier		458776-01	1								
17	Thermostatic Expansion Valve	<b>KM-231BAJ</b>	P01129-01	1								
		<b>KM-301BAJ</b>	P00826-01	1								
18	Thermostatic Expansion Valve Cover A		324313-01	1								
19	Thermostatic Expansion Valve Cover B		324313-02	1								
20	Thermostatic Expansion Valve Holder		451267-01	1								
21	Clamp		443461-01	1								
22	Heat Exchanger A	<b>KM-231BAJ</b>	2A9119G01	1								
		<b>KM-301BAJ</b>	4A6514G01	1								
23	Heat Exchanger B	<b>KM-301BAJ</b>	4A6665G01	1								
24	Thermistor		P00027-01	1								
25	Thermistor Holder		436455-01	1								
26	Separator A	<b>KM-231BAJ</b>	384672G01	1								
		<b>KM-301BAJ</b>	384672G03	1								
27	Separator B	<b>KM-231BAJ</b>	384672G02	1								
		<b>KM-301BAJ</b>	384672G04	1								

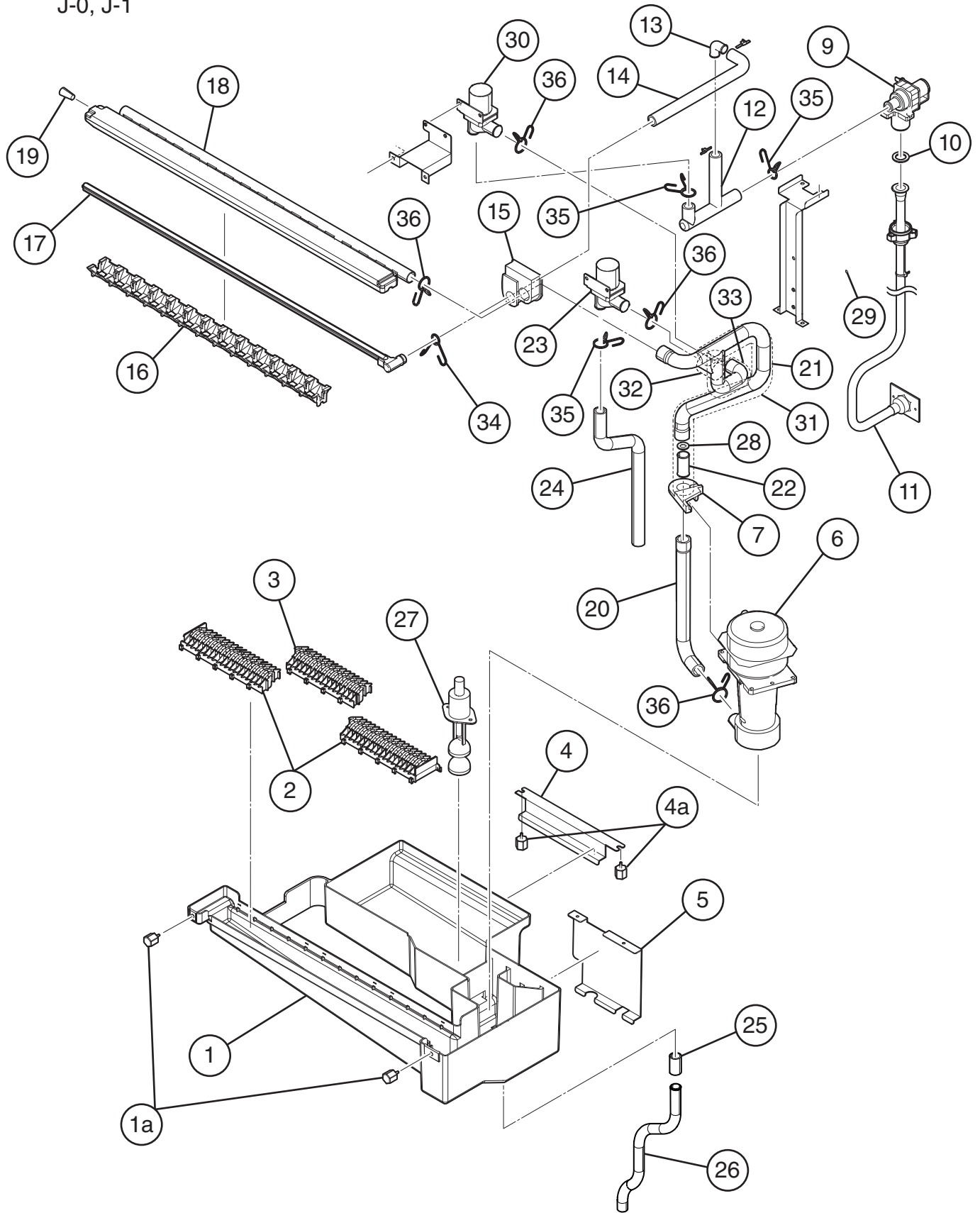


**B. Refrigeration Circuit**  
**KM-301BWJ**  
 J-0



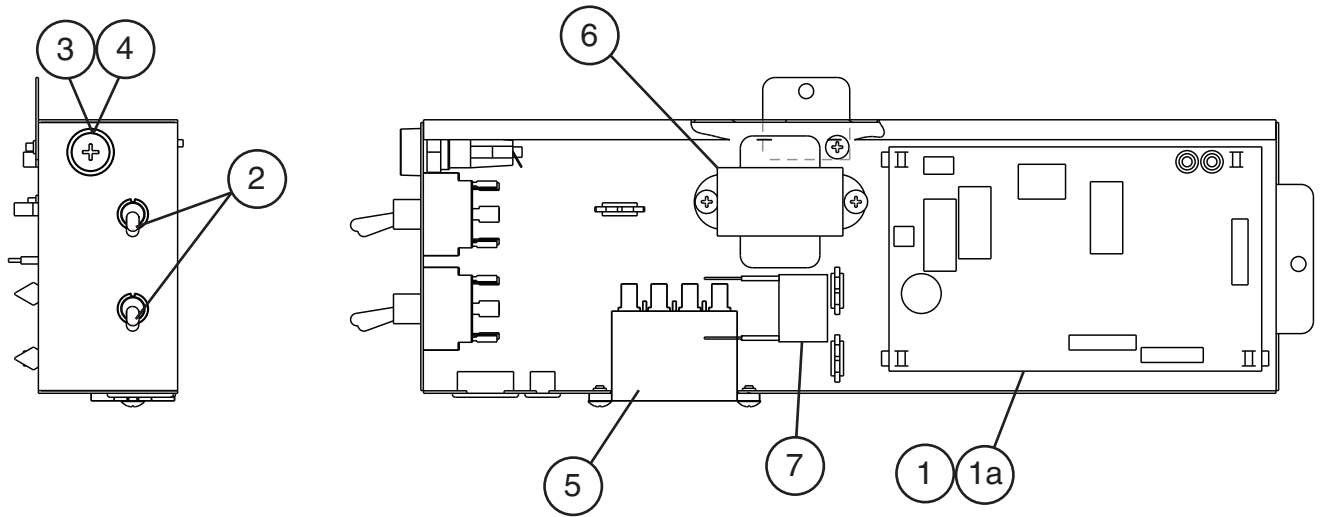
Title: B. Refrigeration Circuit Model: KM-301BWJ												
Index No.	Description	Material or Model Number	Part Number	Required Number								
				J-0								
<b>Refrigeration Circuit</b>												
1	Compressor (external protector)		4A4185-01	1								
2	Start Relay (includes external protector)		4A2135-04	1								
3	Start Capacitor	340MFD, 125VAC	4A2134-04	1								
4	Water-Cooled Condenser		P01212-01	1								
4a	Flange Bolt		7B0230512	2								
5	Water Regulating Valve		P04025-01	1								
6	Evaporator Assembly		4A6539G01	1								
7	Coil Valve		384347G01	1								
8	Valve Body		4A3978-01	1								
9	High-Pressure Switch		463180-05	1								
10	Strainer		441569-02	1								
11	Drier		458776-01	1								
12	Thermostatic Expansion Valve		P00826-01	1								
13	Thermostatic Expansion Valve Cover A		324313-01	1								
14	Thermostatic Expansion Valve Cover B		324313-02	1								
15	Thermostatic Expansion Valve Holder		451267-01	1								
16	Clamp		443461-01	1								
17	Heat Exchanger A		4A6665G01	1								
18	Heat Exchanger B		2A9100G01	1								
19	Thermistor		P00027-01	1								
20	Thermistor Holder		436455-01	1								
21	Capillary Tube		7K2032010	1								
22	Separator A		384672G03	1								
23	Separator B		384672G04	1								

**C. Water Circuit**  
**KM-231BAJ, KM-301BAJ, KM-301BWJ**  
 J-0, J-1



Title: C. Water Circuit Model: KM-231BAJ, KM-301BAJ, KM-301BWJ										
Index No.	Description	Material or Model Number	Part Number	Required Number						
				J-0	J-1					
1	Water Tank	<b>KM-231BAJ</b>	118944P01	1						
		<b>KM-301BAJ</b>	118840P01	1						
		<b>KM-301BWJ</b>								
1a	Thumbscrew		415949G12	4						
2	Cube Guide A		258598P01	2						
3	Cube Guide B	<b>KM-231BAJ</b>	2A3363-01	1						
		<b>KM-301BAJ</b>		2						
		<b>KM-301BWJ</b>								
4	Tank Hook B	<b>KM-231BAJ</b>	371007M01	1						
		<b>KM-301BAJ</b>	371193M01	1						
		<b>KM-301BWJ</b>								
4a	Thumbscrew		415949G12	2						
5	Tank Hook D		371204M01	1						
6	Pump Motor (includes items 7 and 8)		384346G01	1						
7	Pump Motor Cover		371173R01	1						
8	Pump Motor Capacitor	1 MFD, 400VAC	4A2128-09	1						
9	Inlet Water Valve		3U0150-01	1						
10	Rubber Gasket		413854-03	1						
11	Water Supply Pipe		2A9244G01	1						
12	Water Supply Pipe A		472438R01	1						
13	Elbow		470303-01	1						
14	Water Supply Pipe B		472439R01	1						
15	Grommet B		472436R01	1						
16	Spray Guide	<b>KM-231BAJ</b>	252052P03	1						
		<b>KM-301BAJ</b>	118939P01	1						
		<b>KM-301BWJ</b>								
17	Water Supply Tube	<b>KM-231BAJ</b>	250743-03	1						
		<b>KM-301BAJ</b>	254949P01	1						
		<b>KM-301BWJ</b>								
18	Spray Tube	<b>KM-231BAJ</b>	255329P01	1						
		<b>KM-301BAJ</b>	254950P01	1						
		<b>KM-301BWJ</b>								
19	Plug		4A0176-01	1						
20	Water Supply Pipe E		472558R01	1						
21	Water Supply Pipe F		255236R01	1						
22	Socket		472564P01	1						
23	Drain Valve G		384344G01	1						
24	Drain Pipe		472441R01	1						
25	SI Hose		7730-1519	1						
26	Drain Pipe B		472442P01	1						
27	Float Switch		P00816-01	1						
28	Orifice	<b>KM-231BAJ</b>	4Y4194P01	1						
29	Spring Washer		7L22-0400	1						
30	Cleaning Valve G		384352G01	1						
31	Insulation Tube		7762-2040	1						
32	Insulation Tube		7762-2040	1						
33	Insulation Tube		7762-2040	1						
34	Hose Clamp	13.5 mm	427443-07	1						
35	Hose Clamp	18 mm	427433-05	3						
36	Hose Clamp	20 mm	427443-06	4						

**D. Control Box Assembly**  
**KM-231BAJ, KM-301BAJ, KM-301BWJ**  
 J-0, J-1

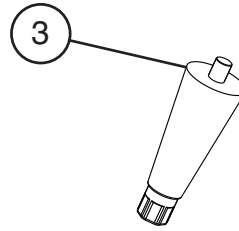
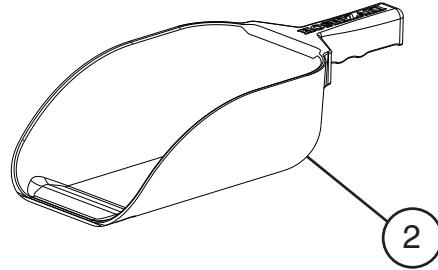
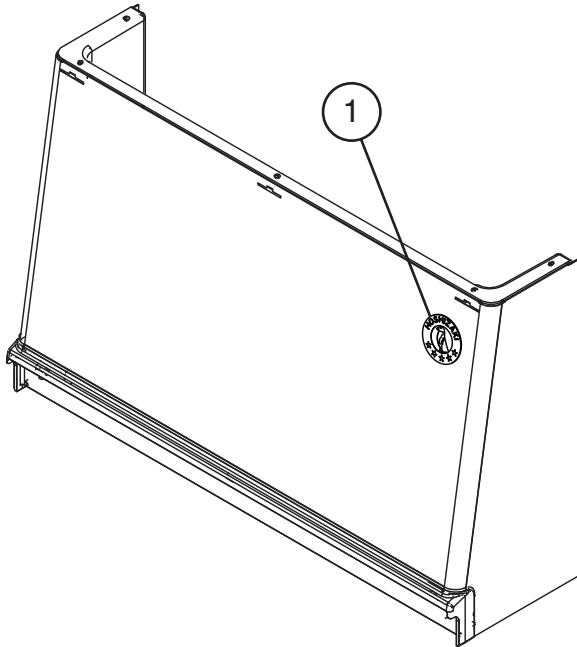


Title: D. Control Box Assembly    Model: KM-231BAJ, KM-301BAJ KM-301BWJ															
Index No.	Description	Material or Model Number	Part Number	Required Number											
				J-0	J-1										
1	Control Board	HKM2006V003	P01771-02	1											
1a	Board Support		4A0336-03	4											
2	Toggle Switch		P00033-01	2											
3	Fuse Holder		P00014-01	1											
4	Fuse	5A 250V	P01143-01	1											
5	Power Relay		449000-01	1											
6	Control Transformer		3A4395-01	1											
7	Noise Killer (capacitor)	.47 MFD 275VAC	P00228-01	1											

## E. Accessories & Labels

KM-231BAJ, KM-301BAJ, KM-301BWJ

J-0, J-1



Title: E. Accessories & Labels Model: KM-231BAJ, KM-301BAJ KM-301BWJ													
Index No.	Description	Material or Model Number	Part Number	Required Number									
				J-0	J-1								
1	Penguin Label		475552L02	1									
2	Scoop		1H4123P02	1									
3	Leg		4A2525-01	4									