



INSTALLATION AND OPERATION INSTRUCTIONS

FLAT TOP BOTTLE COOLER - BC SERIES



BC72 shown

MODELS

- BC24
- BC36
- BC48
- BC60
- BC72
- BC96



The Perlick Corporation verifies this product **does not contain a prohibited refrigerant** as defined by the California Air Resource Board (CARB), the state of New York, and any other state with HFC prohibition laws. This product does not contain HFC's. The following disclosure statement is provided to comply with the CARB regulation:

This equipment is prohibited from use in California with any refrigerants on the "List Of Prohibited Substances" for that specific end use, in accordance with the California Code of Regulations, title 17, section 95374. This disclosure statement has been reviewed and approved by the Perlick Corporation and the Perlick Corporation attests under penalty of perjury, that these statements are true and accurate.

GENERAL INFORMATION

Introduction

Congratulations on your purchase of a Perlick commercial underbar product. This manual has been prepared to assist you in the installation of your cabinet and to acquaint you with its operation and maintenance.

This manual has been prepared to assist you in the installation of your under counter refrigerator and to acquaint you with its operation and maintenance.

We dedicate considerable time to ensure that our products provide the highest level of customer satisfaction. If service is required, your dealer can provide you with a list of qualified service agents. For your own protection, never return merchandise for credit without our approval.

We thank you for selecting a Perlick product and assure you of our continuing interest in your satisfaction.

Warranty

To register your product, visit our web site at www.perlick.com. Click on "Commercial", then "Service". Click on the link "Warranty Registration Form". You must complete and submit this form or the installation date will revert back to the ship date.

Please record the purchase date and the dealer's name, address and telephone number below.

Model Number: _____

Serial Number: _____

Purchase Date: _____

Dealer Name & Address _____

Phone Number _____

TABLE OF CONTENTS

- General Information..... 1
- Safety..... 2
- Cabinet Specifications..... 3
- Cabinet Drawings..... 4
- Preparing the Cabinet for Use
 - Refrigerant..... 5
 - Uncrating and Inspection..... 5
 - Installation..... 5
 - Electrical..... 5
- Use and Operation..... 6
- Repair & Maintenance..... 6
- Installing Casters or Legs..... 6
- Placing the Cabinet..... 6
- Adjustable Partitions and Shelving..... 6
- Placing the Cabinet..... 6
- Digital Temperature Control..... 7
- Maintenance..... 7
 - Cleaning the Condenser..... 7
 - Cleaning the Doors..... 7
 - Cleaning the Cabinets..... 7
- Wiring Diagrams..... 8
- Replacement Parts..... 10

SAFETY

PLEASE READ all instructions completely before attempting to install or operate the unit. Take particular note of the DANGER, WARNING and CAUTION information in the manual. The information is important for the safe and efficient installation, operation and care of your Perlick unit.

DANGER Indicates a hazard that WILL result in serious injury or death if precautions are not followed.

WARNING Indicates a hazard MAY cause serious injury or death if precautions are not followed.

CAUTION Indicates a hazard where minor or moderate injury may occur if precautions are not followed.

NOTICE Indicates that property damage may occur if warnings or instructions are not followed.

IMPORTANT!

Read and understand all information in this manual before attempting the installation. All plumbing and electrical work must be performed by a qualified technician and conform to all applicable state and local codes.

WARNING: California Prop 65 Notice
 These products may expose you to chemicals including Chromium, which are known to the state of California to cause cancer and birth defects or other reproductive harm. For more information on whether a product in this list contains these chemicals, please refer to the specific product page at perlick.com. Or to find out more about Prop 65, go to P65Warnings.ca.gov.

FLAT TOP BOTTLE COOLERS

Operation/Installation Manual



JOB	
AREA	
ITEM NO.	
MODEL NO.	

BC24 SERIES
BC36 SERIES
BC48 SERIES
BC60 SERIES
BC72 SERIES
BC96 SERIES

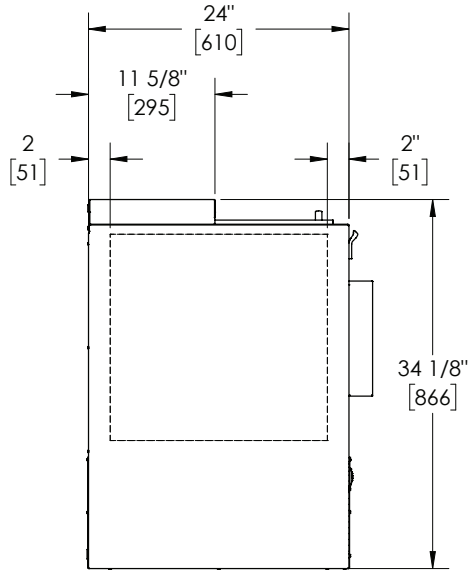


eco friendly
R290 Refrigerant

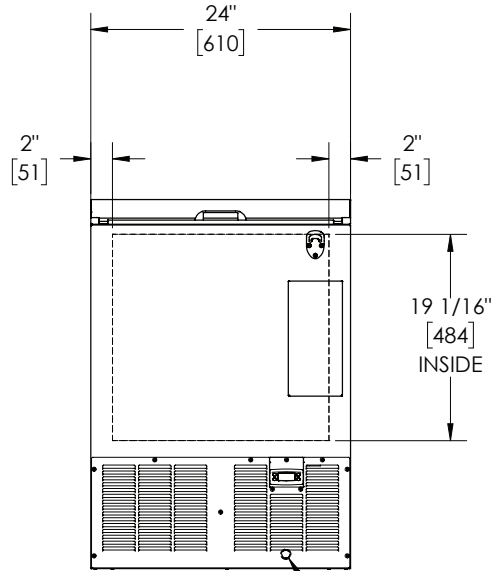
MODEL NUMBERS		BC24	BC36	BC48	BC60	BC72	BC96
EXTERIOR CABINET DIMENSIONS	Length - in. (mm)	24 (610)	36 (914)	48 (1219)	60 (1524)	72 (1829)	96 (2436)
	Depth - in. (mm)	24 (610)	24 (610)	24 (610)	24 (610)	24 (610)	24 (610)
	Height - in. (mm)	34-1/8 (866)	34-1/8 (866)	34-1/8 (866)	34-1/8 (866)	34-1/8 (866)	34-1/8 (866)
INTERNAL NET VOLUME - cubic ft. (liters)		4.2 (118)	8.6 (242)	12.5 (353)	16.3 (462)	20.3 (575)	28.3 (800)
CASE CAPACITY (12 bottles)		5.5	9.8	17.2	21.0	28.3	41.0
CASE CAPACITY (12 cans)		7	16	25	30	36	58
SHIPPING WEIGHT Lbs. (kg.)		190 (86)	245 (111)	300 (136)	353 (160)	405 (184)	515 (235)
CABINET CONSTRUCTION (INTERIOR)		All models have stainless steel walls and floor.					
CABINET CONSTRUCTION (EXTERIOR)		Choice of black, stainless steel and all stainless. Black Option: Front and ends are black vinyl coated steel, back and bottom are galvanized. Stainless Steel Option: Front and ends are stainless steel, back and bottom are galvanized. All Stainless Option: Front, ends, back and bottom are all stainless steel.					
DOORS AND HARDWARE		Sliding style open with standard locks. Stainless steel top and bottom pans. Die cast handle					
PLUMBING		No drain required. Condensate evaporates automatically.					
INSULATION		2 inch foamed-in-place, environmentally friendly Ecomate® polyurethane insulation. Blowing agent R-611.					
VENTILATION		2' model is front vented, all other models require 2" clearance from wall on either left end or back of cabinet for proper air flow.					
TEMPERATURE SPECIFICATIONS	Default Temperature Setpoint: Standard Temp (RT) Models - °F [°C]	38 [3.3]					
	Adjustable Setpoint Range: Standard Temp (RT) Models - °F [°C]	34 - 40 [1.1 - 4.4]					
	Default Temperature Setpoint: Low Temp (LT) Models - °F [°C]	30 [-1.1]					
	Adjustable Setpoint Range: Low Temp (LT) Models - °F [°C]	28 - 34 [-2.2 - 1.1]					
	Default Temperature Setpoint: Wine Temp (WT) Models - °F [°C]	50 [10.0]					
	Adjustable Setpoint Range: Wine Temp (WT) Models - °F [°C]	45 - 60 [7.2 - 15.6]					
ELECTRICAL SPECIFICATIONS	Supply	120 VAC/60 Hz/1 Ph					
	Running Load Amps	1.9	1.9	3.1	4.4	4.4	4.4
	Power Cord	6-foot length with NEMA 5-15 plug.					
	Thermostat	NSF Listed electronic control.					
	Defrost Type	Automatic electric defrost (Low Temp models only).					
	Lighting Type	LED (136 Lumens, 5500K)					
REFRIGERATION SPECIFICATIONS	Condensing Unit	Hermetic condensing unit pulls out for service and cleaning.					
	Expansion Device	Capillary Tube					
	Refrigerant	R290					
	Refrigerant Charge (g)	90	110	120	120	120	120
	Compressor H.P.	1/6	1/6	1/5	1/4	1/4	1/4
	Total Heat of Rejection At 75°F ambient (BTU/h)	1420	1420	1920	2980	2980	2980
OPTIONAL ACCESSORIES		Floor racks • Casters • Bottle opener and receiver • Bin dividers Speed rails • Adjustable legs • Roller basket shelving					

Perlick is committed to continuous improvement. Therefore, we reserve the right to change specifications without prior notice

24" CABINET

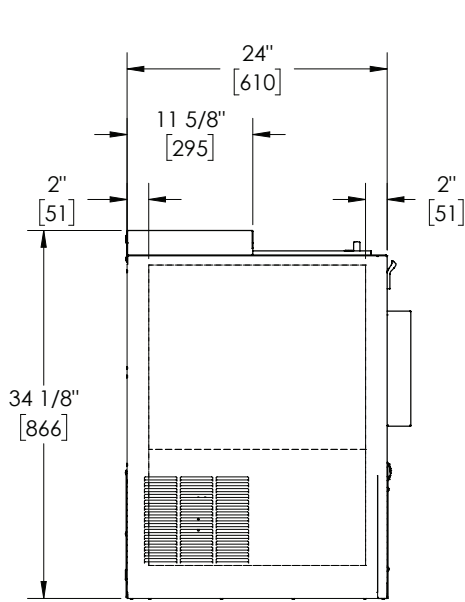


END VIEW*
24" CABINET

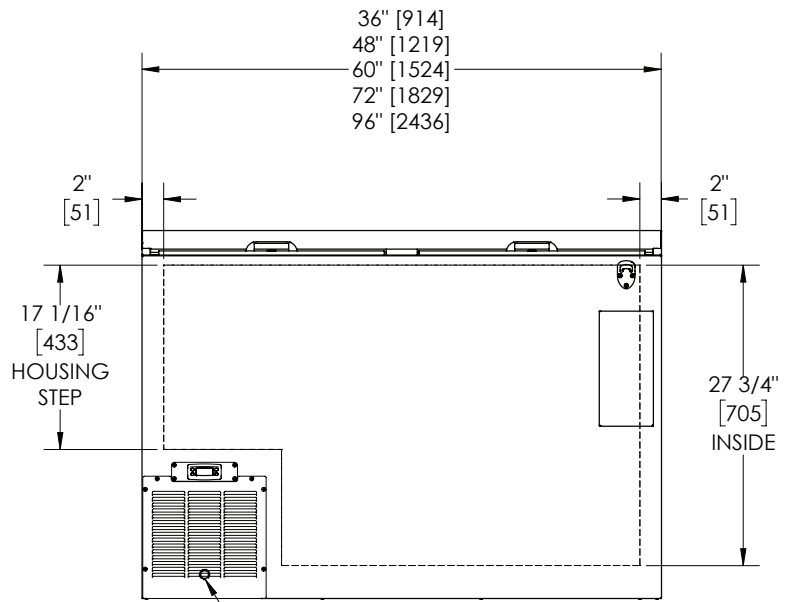


FRONT VIEW* — POWER CORD EXIT
24" CABINET (BACK OF UNIT)

36", 48", 60", 72", & 96" CABINET



END VIEW*
36", 48", 60", 72", & 96"
CABINET



FRONT VIEW*
36", 48", 60", 72", & 96"
CABINET

POWER CORD EXIT
(BACK OF UNIT)

Refrigerant

⚠ DANGER Take caution when handling, moving and using the product to avoid damaging the refrigerant tubing or increasing the risk of a leak

⚠ WARNING All service work shall be performed by factory authorized service personnel and all component parts shall be replaced with like components to minimize the risk of possible ignition due to incorrect parts or improper service.

⚠ CAUTION If service is necessary, repair work must be performed by a Perlick authorized servicer. Work done by unqualified individuals could potentially be dangerous and will void the warranty.

NOTICE This product contains blown foam insulation using blowing agent R-611 (Methyl Formate). The foam in this product does not contain HFC's, CFC's, or HCFC's.

All models covered in this user manual are manufactured using refrigerant R290 (Propane). R290 is a hydrocarbon. This refrigerant is flammable and is only allowed for use in appliances which fulfill the requirements of UL 471 (To cover potential risk originated from the use of flammable refrigerants). Consequently, R290 is only allowed to be used in refrigerating appliances which are designed for this refrigerant and fulfill the above-mentioned standard.

- R290 is heavier than air. The concentration will always be highest at floor level.
- The explosion limits are as follows:
 - o Lower Limit: 1.7% by vol. (37 g/m3)
 - o Upper Limit: 9.5% by vol. (177 g/m3)
 - o Ignition Temperature: 470 °C

Preparing the Cabinet for Use

UNCRATING AND INSPECTION

Remove all crating material before operating. Carefully inspect cabinet for hidden damage. If damage is discovered, file your claim immediately with the transport company. Perlick is not responsible for damage in transit.

⚠ DANGER Do not use or store flammable liquids (ie; gasoline) or vapors near the appliance to avoid fire.

INSTALLATION

NOTICE The unit must NOT be totally enclosed or damage may occur.

Air circulation must not be restricted. The condenser at cabinet front must be provided with a minimum of two inches air space. Be sure to provide access so front cover can be removed to clean the condenser.

NOTICE If unit has been laid on its back or sides, place unit upright and allow a minimum of 24 hours before connecting power. Failure to follow this procedure may damage the compressor and void the warranty.

NOTICE Use care when handling, moving and using the product to avoid damaging the refrigerant tubing or increasing the risk of a leak.

ELECTRICAL

For specifications, see data plate located on the cabinet. Also, see wiring diagram located in this publication.

⚠ WARNING Inspect the electrical cord and plug for damage prior to energizing the unit to avoid potential electric shock.

⚠ WARNING Use electrical grounding to avoid electrocution or electric shock.

This appliance is equipped with a 3-prong (grounding) polarized plug for your protection against possible shock hazards. Failure to use grounding may result in death, serious injury, or property damage.

⚠ WARNING Never use an extension cord to connect the unit to the electrical source. Do not use a two-prong adapter or remove the power cord ground prong. Failure to use grounding may result in death, serious injury, or property damage.

NOTICE Using any voltage other than specified will result in serious damage to the unit.

Use and Operation

USE & OPERATION

⚠ DANGER Do not use or store flammable liquids (ie; gasoline) or vapors near the appliance to avoid fire.

⚠ CAUTION If service is necessary, repair work should be performed by a Perlick-authorized service personnel. Work done by unqualified individuals could create dangerous conditions in unit that may result in serious injury or death.

NOTICE The unit must NOT be totally enclosed or damage may occur.

REPAIR & MAINTENANCE

⚠ WARNING All service work shall be performed by Perlick-authorized service personnel. All component parts shall be replaced with like components. Incorrect parts or improper service may result in fire.

INSTALLING CASTERS OR LEGS (OPTIONAL)

Attach bracket assembly to the bottom of the cabinet base using the 1/4"-20 Philips head machine screws provided. Attach casters or legs to the mounting bracket with 1/4" - 20 Philips head screws provided

NOTICE To comply with NSF requirements, cabinet must be sealed to floor or on legs, casters, or rollers.

ADJUSTABLE PARTITIONS & SHELVING

Perlick Bottle Coolers may be provided with adjustable partitions and shelving which will accommodate various bottle sizes.

- Remove bottles and cans from their cases before placing in cooler to ensure proper air flow.
- When loading product into cabinet, care must be taken to avoid blocking airflow into and out of the evaporator. Maintain at least 2" of clearance on evaporator air intake and exhaust for proper operation.

PLACING THE CABINET

To assure maximum performance, fresh air must be allowed to circulate through the machinery compartment. It is important to allow at least two inches of clearance at the back or left end of the cabinet. Do not place anything in front of the cabinet that would obstruct air flow at these grilles. Do not place the unit in an unventilated small room.

⚠ CAUTION Removing the factory installed back clearance spacers without providing proper left side grill clearance for compressor air flow will void the warranty.

Cabinet should be leveled.

For installation of a cabinet directly to the floor, (without legs or casters), the cabinet must be sealed to the floor to prevent liquid spillage passing under inaccessible portions of the equipment and to maintain the equipment's NSF sanitation certification. The floor surface shall be level and smooth. It is recommended to be sealed to the floor using an NSF certified silicone sealer. (Figure 1).

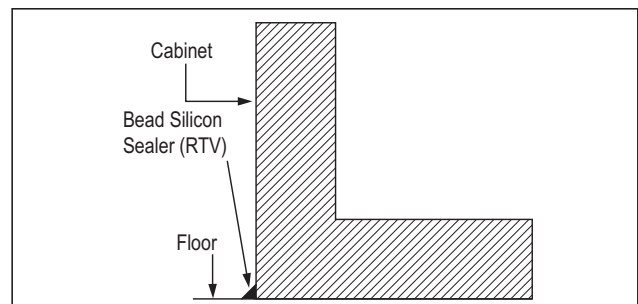


Figure 1. Sealing Cabinet to Floor

Use and Operation

TEMPERATURE CONTROL

A digital temperature control is located on the front face of the Bottle Cooler, above the condensing unit housing. It is factory set at approximately 38°F for standard refrigeration, 30°F for low temperature models, and 50°F for wine temperature models. Make adjustments as detailed below to attain the desired temperature.

Digital Temperature Control

To display the Set point values press the **set** key when the 'SET' label is displayed. The Set point value appears on the display. To change the Set point value, press the **↕** and **↕** keys within 15 seconds. Press **set** to confirm the modification.



Figure 2: Digital Temperature Controller

The condenser fan motor turns off and on with compressor. The evaporator fan motor runs continuously.

CLEANING THE CONDENSER

⚠ DANGER Flammable Refrigerant. Risk of fire or explosion. Do not damage refrigeration tubes.

- The condenser (located behind the front grille) should be inspected every 30 days, and cleaned, if necessary. Failure to keep the condenser clean will cause a loss in condensing unit efficiency, or compressor failure.

CLEANING THE DOORS

- Doors should be periodically removed from the cabinet and inspected for a buildup of foreign materials, such as syrups, beer, etc. Buildups on the underside of the doors, along with the cabinet breaker strips on which they ride, will cause them to bind, and therefore, not function as designed. If dirty, these surfaces should be cleaned with a mild detergent and water and then coated with an NSF certified silicone lubricating material.

To remove doors:

- With door closed, lift it upward by its handle and slide forward until doors clear the cabinet top. Use the reverse procedure to reinstall the doors.

CLEANING THE CABINETS

- Use a damp cloth with a mild detergent and water to clean the inside and outside of the cabinet. Dry thoroughly. Do not allow cleaning agents or large amounts of water to go down the drain. Use an acceptable stainless steel polish to clean all stainless steel surfaces. Never use steel wool or scouring pads to clean stainless steel.

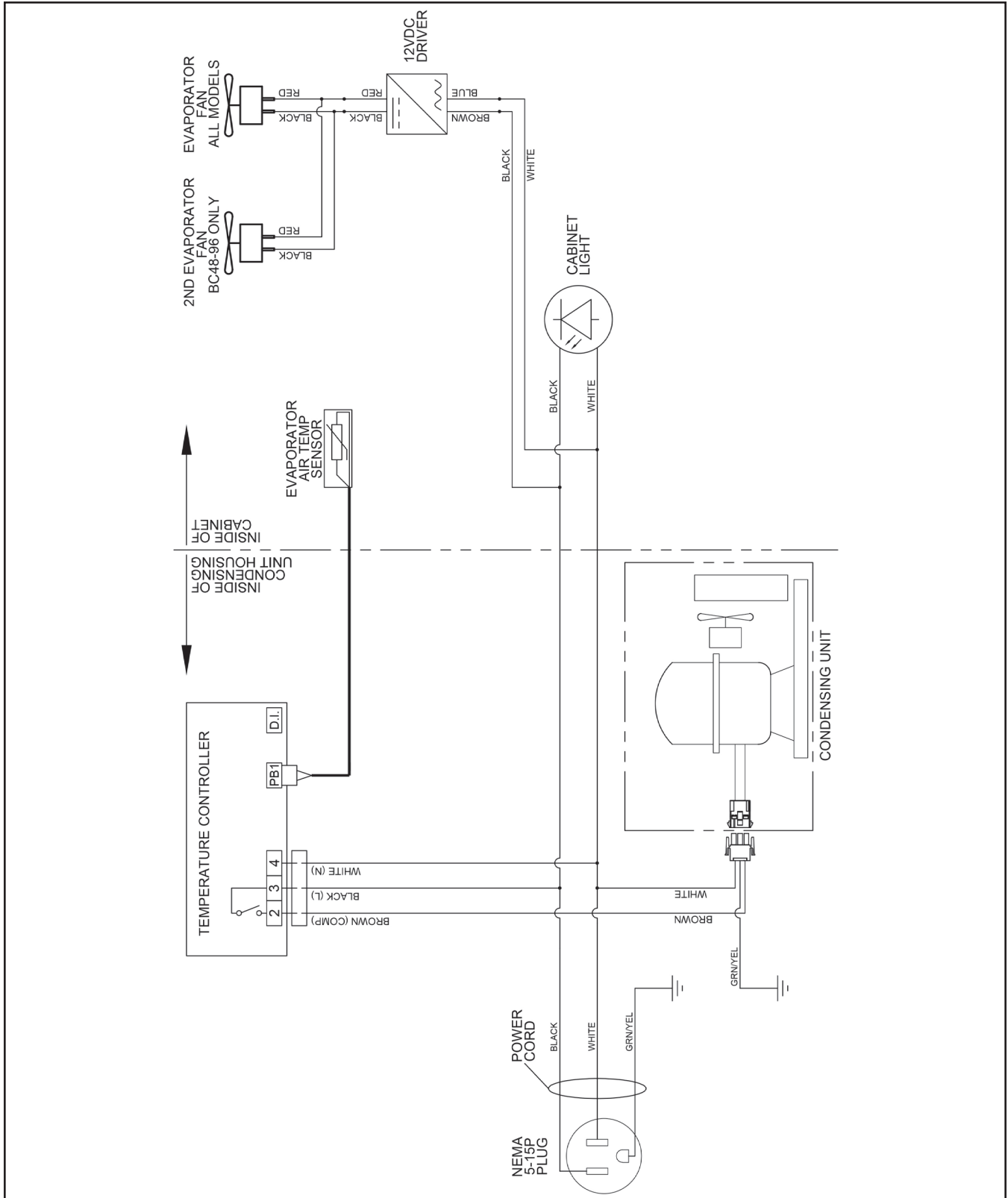
Avoiding Stainless Steel Corrosion

Corrosion can be prevented by following product cautions, cleaning instructions and avoiding use of certain chemicals or objects which will cause stainless steel corrosion.

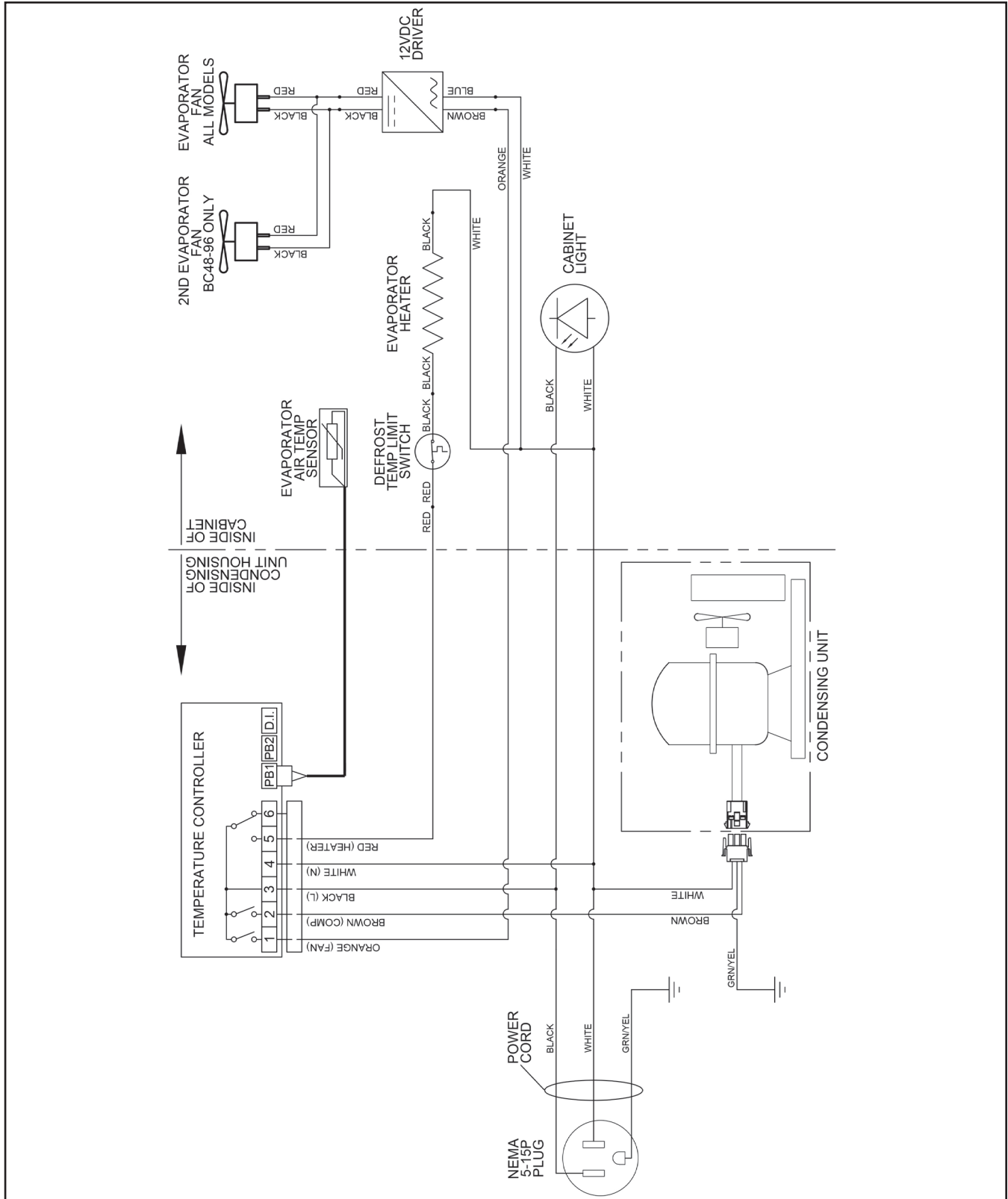
STAINLESS STEEL ENEMY

- Steel wool or steel scouring pads
- Cherry/Orange/Olive juice
- Chlorine Bleach
- Sharp Objects

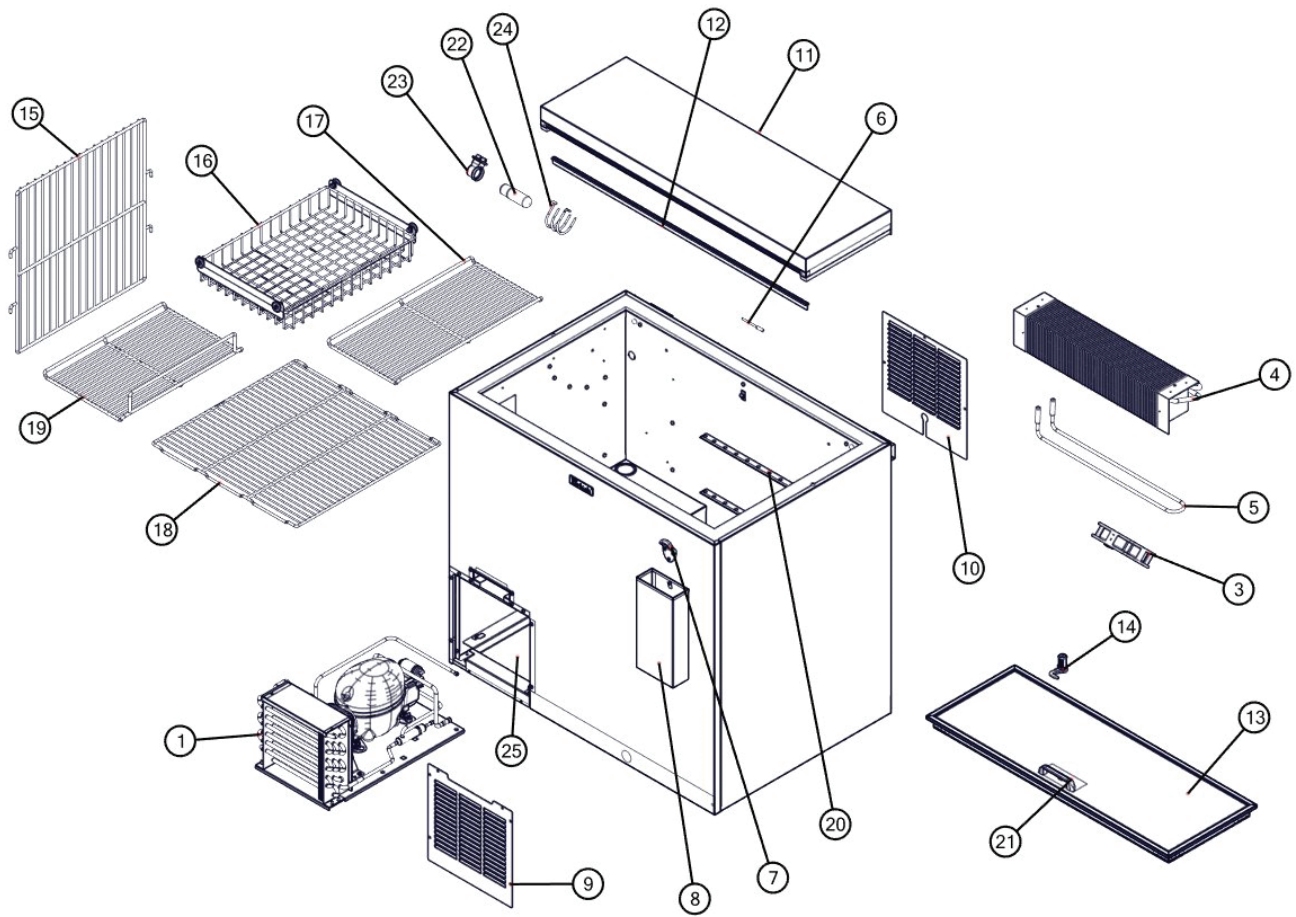
Wiring Diagram - Standard and Wine-Temp Bottle Coolers



Wiring Diagram - Low-Temp Bottle Coolers



Replacement Parts - Flat Top Bottle Coolers





Replacement Parts - Flat Top Bottle Coolers

MODEL NOS.		BC24 RT / LT	BC36 RT / LT	BC48RT / LT	BC60 RT / LT	BC72 RT / LT	BC96 RT / LT
Item	Description	Part Numbers					
1	Complete condensing unit	1018398	1018398	1018399	1018400	1018400	1018400
	Replacement compressor, R290	C22999CMP09	C22999CMP09	C22999CMP10	C22999CMP11	C22999CMP11	C22999CMP11
	Condensing unit fan motor assy.	1013047	1013047	1013047	1013047	1013047	1013047
	Condensing unit filter drier	C22999DAH01	C22999DAH01	C22999DAH01	C22999DAH01	C22999DAH01	C22999DAH01
	Condensing units start components	C22999STCP08	C22999STCP08	C22999STCP09	C22999STCP10	C22999STCP10	C22999STCP10
3	Evaporator fan	71386	71386	71386	71386	71386	71386
4	Evaporator coil	64785-1EP	C17511-1EP	C17511-1EP	C17511-2EP	C17511-2EP	C17511-2EP
5	Defrost heater	none / C25655-1	none / 65045-1	none / 65045-1	none / 61900	none / 61900	none / 61900
6	Temperature sensor	1005668	1005668	1006584	1006584	1006584	1006584
7	Bottle opener	C6713-1	C6713-1	C6713-1	C6713-1	C6713-1	C6713-1
8	Bottle cap receiver	C173325S	C173325S	C173325S	C173325S	C173325S	C173325S
9	Front grille	1024465-1	1024230-1	1024230-1	1024230-1	1024230-1	1024230-1
10	Rear grille/panel	66498-1	65662-3	65662-3	65662-3	65662-3	65662-3
11	Top assembly	RT-SL2	RT-SL2	RT-SL2	RT-SL2	RT-SL2	RT-SL2
12	Top wiper gasket	63671-24	63671-36	63671-48	63671-60	63671-72	63671-96
13	Door assembly	RD-SL2	RD-SL2	RD-SL2	RD-SL2	RD-SL2	RD-SL2
14	Lock assembly	63940	63940	63940	63940	63940	63940
15	Vertical partition	65503	66441	66441	66441	66441	66441
16	Roller basket	N/A	66442-1	66442-1	66442-1	66442-1	66442-1
17	Wide shelf	N/A	64811-1	64811-1	64811-1	64811-1	64811-1
	Narrow shelf	64809-1	64809-1	64809-1	64809-1	64809-1	64809-1
18	Bottom floor rack (wide)	64814-1	64814-1	64814-1	64814-1	64814-1	64814-1
	Bottom floor rack (narrow)	N/A	N/A	64815-1	64815-1	64815-1	N/A
19	Shelf with side rail	N/A	64810-1	64810-1	64810-1	64810-1	64810-1
20	Shelf bracket	65653-24	65653-36	65653-48	65653-60	65653-72	65653-96
21	Door handle	63931	63931	63931	63931	63931	63931
22	Light Bulb	1009338	1009338	1009338	1009338	1009338	1009338
23	Light socket	63484	63484	63484	63484	63484	63484
24	Light Guard	65009-1	65009-1	65009-1	65009-1	65009-1	65009-1
25	Evaporator drain pan	1025311-1	1025311-2	1025583-1	1025583-2	1025583-2	1025583-2

ITEMS NOT SHOWN

Wire harness, main	1024877 / 1024910	1024877 / 1024910	1024877 / 1024910	1024877 / 1024910	1024877 / 1024910	1024877 / 1024910
Suction line and capillary tube assembly	1024536	1024536	1023912	1024762	1024296	1024537
Mullion assembly	N/A	N/A	66551	66551	66551	66551
Refrigerant charge (grams R290)	90	110	120	120	120	120
Defrost temp. limit switch	none / 57676	none / 57676	none / 57676	none / 57676	none / 57676	none / 57676
Evaporator fan DC driver	68758	68758	68758	68758	68758	68758
Digital temperature controller	1024855 / 1024856	1024855 / 1024856	1024855 / 1024856	1024855 / 1024856	1024855 / 1024856	1024855 / 1024856

Perlick is committed to continuous improvement. Therefore, we reserve the right to change specifications without prior notice



8300 West Good Hope Road • Milwaukee, WI 53223 •
Toll Free 800.558.5592 • Fax 414.353.7069 • www.perlick.com