



LEG INSTALLATION GUIDE

PRODUCT NUMBERS

Pedestal Leg Install

Cabinet Leg Install

Perlick Flex Mount Leg Kit



Form No. Z2386
Rev. 10.04.22

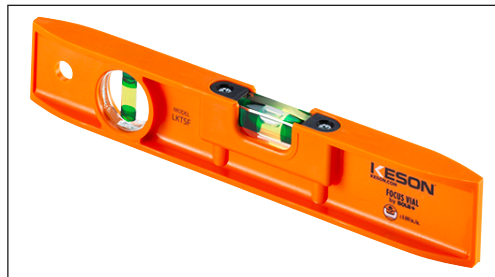
PURPOSE:

The purpose of this guide is to provide a step-by-step process for our leg attachment method. Legs will be shipped with all free-standing equipment.



TOOLS NEEDED:

- Level
- Phillips screw driver



NOTE:
Phillips screw driver is needed for leg mounting style B only.

PREPARING FOR USE:

Step 1

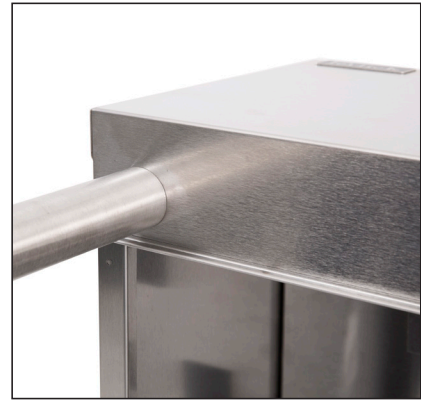
Identify parts to be assembled you might have either Mounting Style, A, B or C. Unpack the legs that were shipped with your equipment, and grab the level you will use to level the equipment.



MOUNTING STYLE A
Traditional Pedestal Style



MOUNTING STYLE B
Traditional Cabinet Style



MOUNTING STYLE C
NEW Quick Clamp Style

Step 2

Position the equipment so the leg mount is visible and accessible.



Step 3

Mounting Style A & C

Screw the leg into the leg mount by hand until snug, then turn 1/4 turn more to secure the leg. Repeat the process with all legs on the equipment.

Mounting Style B

Screw the leg flange into the equipment using a Phillips head screw driver and the screws provided in the pack with the legs.

NOTE: Be sure not to over tighten the screws, **DO NOT USE A DRILL.**



Mounting Style A



Mounting Style B

Step 4

Stand the unit back up on the legs before leveling.



Step 5

Level the unit by turning the adjustable billet feet by hand clockwise or counter clockwise to lengthen or shorten the leg.

NOTE: Check for level on both sides, the front ledge, and the top of the backsplash using the level. Adjust each foot and check again until the unit is level.



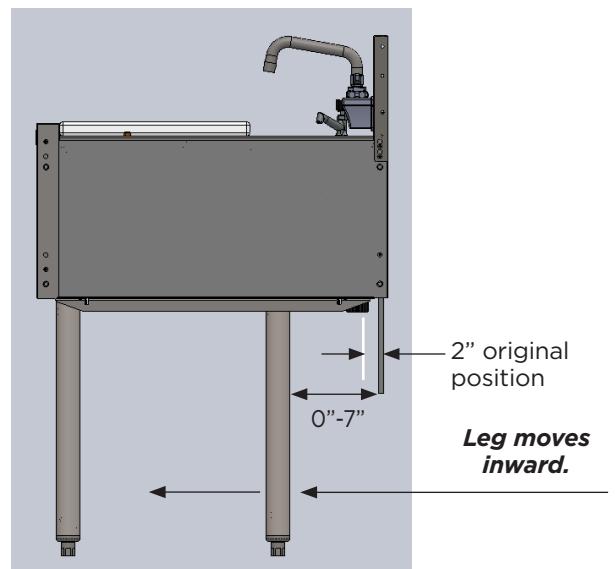


PERLICK FLEX MOUNT LEG KIT

INSTALLATION GUIDE

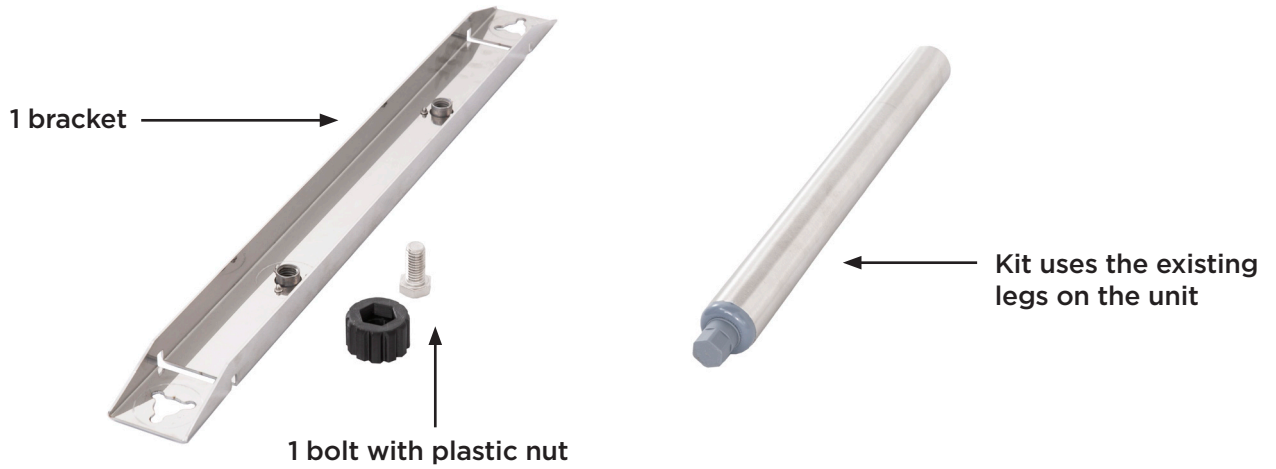
PURPOSE:

The purpose of this section is to provide a step-by-step process for our **Perlick Flex Mount Leg Relocation Kit**, a leg relocation may be needed to move the rear legs forward or the front legs back to avoid leg interference with something in your bar.



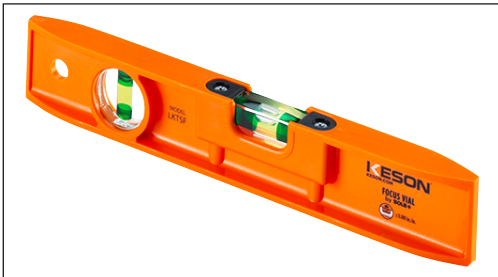
Form No. Z2386
Rev. 10.04.22

KIT CONTAINS:



TOOLS NEEDED:

- Level



PREPARING FOR USE

Step 1

If possible, position equipment so the bottom of the unit is visible and accessible.

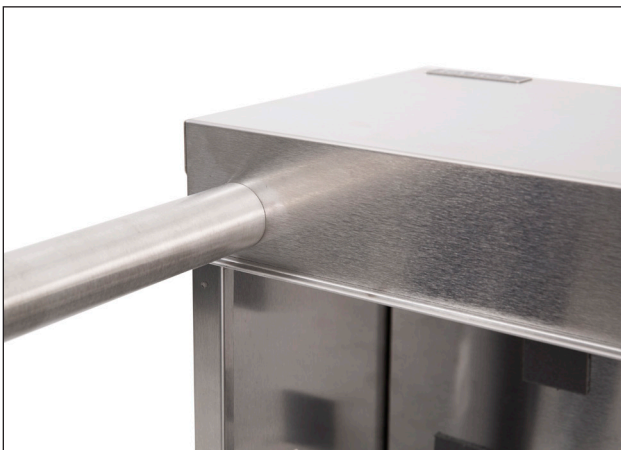
NOTE: Use a team lift when necessary.



Step 2

Unscrew the existing legs from the equipment by hand and set legs aside for later use.

NOTE: if your legs are not attached to the equipment yet, locate the legs that came with the unit and set aside.



Step 3

Position bracket front to back on equipment over the existing leg mounting holes.

NOTE: Relocation kit can only be installed on leg Mounting Style C.



Step 4

Thread one leg into the original leg mounting hole sandwiching the relocation bracket into place. Screw the bolt with plastic nut into the other original mounting hole.

NOTE: Which ever leg is staying in place will mount into the original mounting hole.



Step 5

Thread remaining leg into the relocation bracket mounting hole.

NOTE: Do not use tools to install the relocation bracket bolt or legs.



Step 6

Repeat steps 2 thru 5 for other side of equipment.

Step 7

Stand the unit back up on the legs before leveling.

NOTE: Equipment does not need to be installed in final position to level.



Step 8

Level the unit by turning the adjustable billet feet by hand clockwise or counterclockwise to lengthen or shorten the leg.

NOTE: Check for level on both sides, the front ledge, and the top of the backsplash using the level. Adjust each foot and check again until the unit is level.





Form No. Z2386
Rev. 10.04.22

8300 West Good Hope Road • Milwaukee, WI 53223
Toll Free 800.558.5592 • Fax 414.353.7069 • info@perlick.com • www.perlick.com