

# Service Parts for models UF424 and UN324

This is the illustrated parts list for Scotsman ice maker models UF424 and UF324.

They were manufactured as either air or water cooled models, plus the air cooled models were made in 2 voltages. Please confirm the complete model number before ordering a part.

Complete models are:

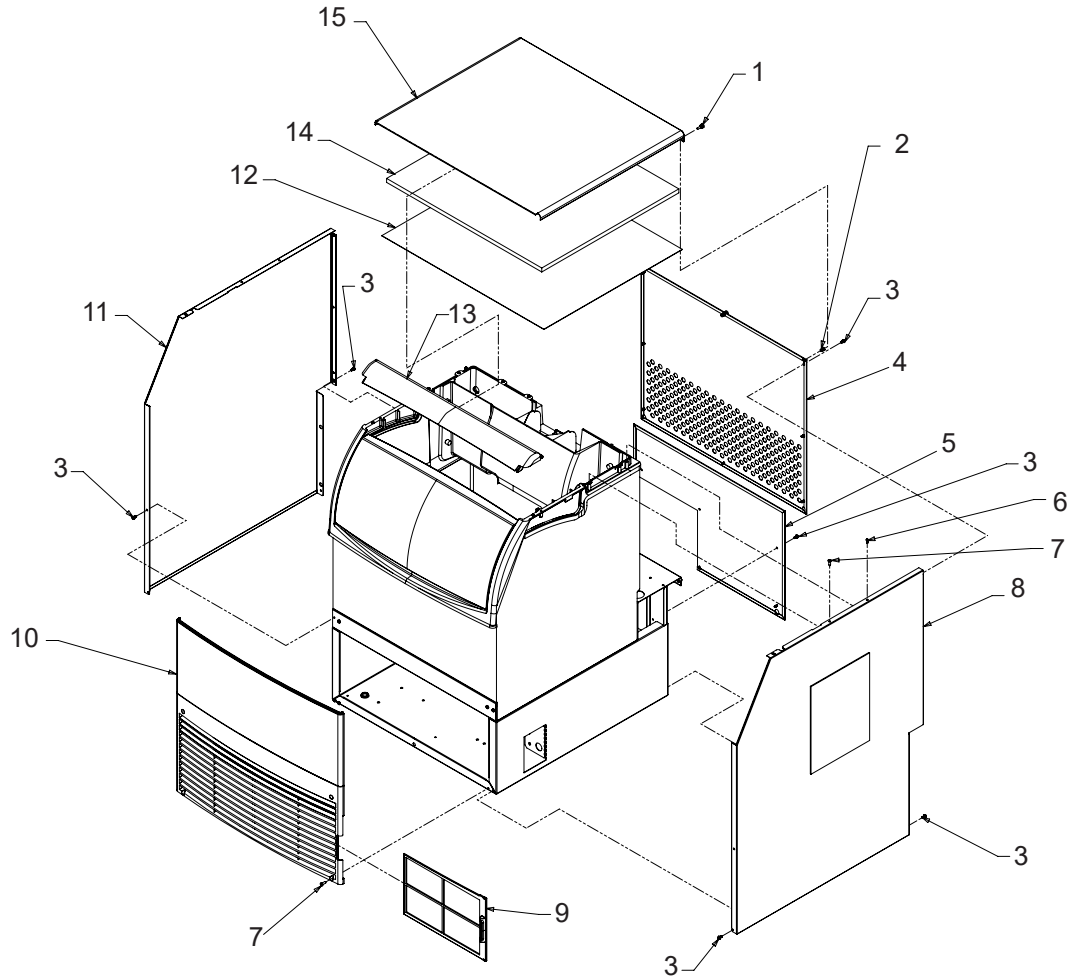
- UF424A-1A, flaked ice, air cooled 115 volt, 60 Hz
- UN324A-6A, nugget ice, air cooled, 115 volt, 60 Hz
- UF424W-1A, flaked ice, water cooled, 115 volt, 60 Hz
- UN324W-1A, nugget ice, water cooled, 115 volt, 60 Hz
- UF424A-6A, flaked ice, air cooled, 230 volt 50 Hz
- UN324A-6A, nugget ice, air cooled, 230 volt 50 Hz

## Contents

Outer Cabinet . . . . .	Page 2
Inner Cabinet, Water Tubing and Reservoir . . . . .	Page 3
Refrigeration and Water Cooled Condensing . . . . .	Page 4
Drains and Ice Making Components . . . . .	Page 5
Base Top and Air Cooled Condensing . . . . .	Page 6
Auger, Water Seal, Gear Reducer, Bearings . . . . .	Page 7
Control Box . . . . .	Page 8
Wiring Diagram . . . . .	Page 9

# Model UF424 and UN324 Service Parts

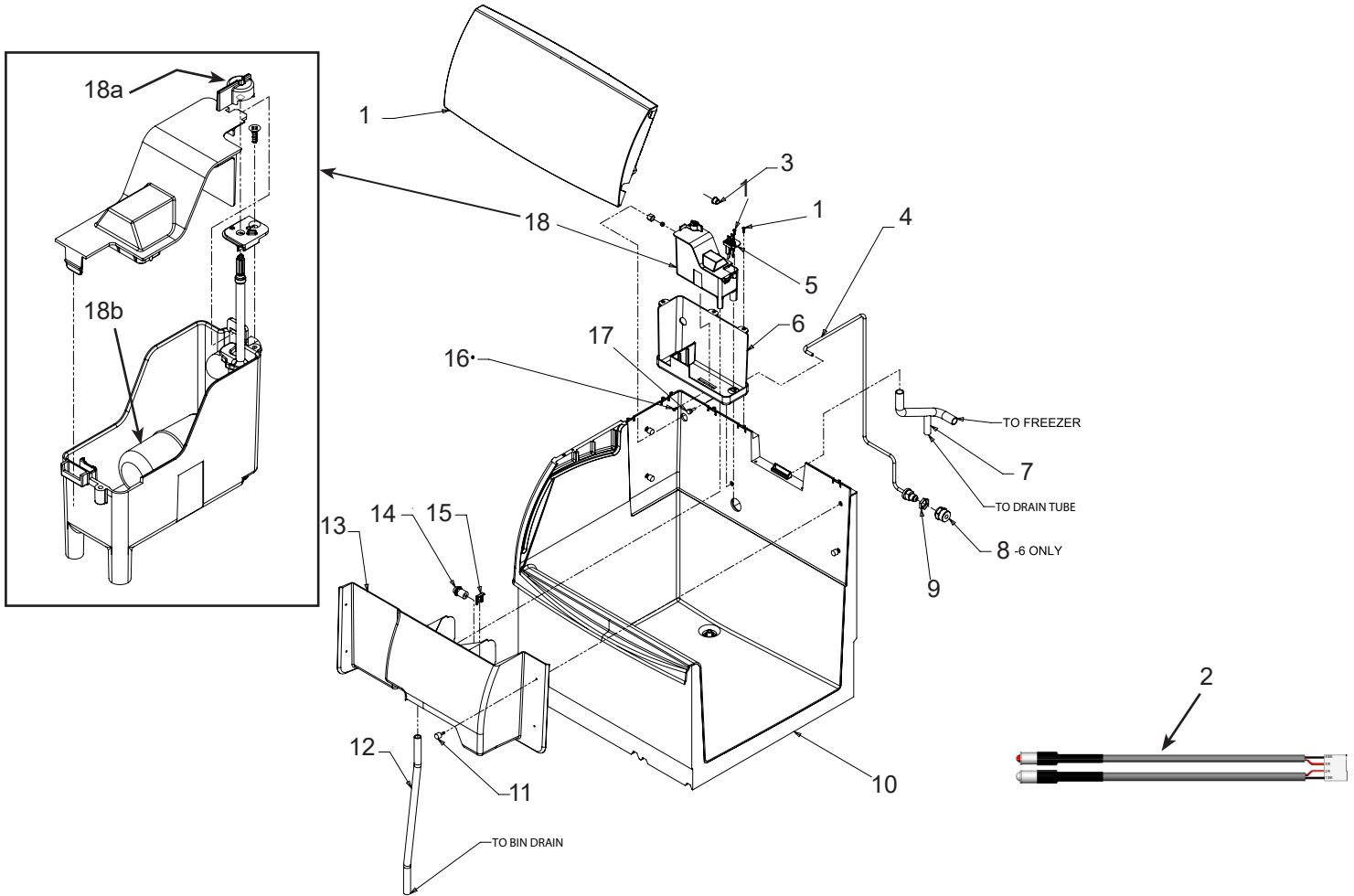
## Outer Cabinet



Item	Part Number	Description
1	03-0727-05	Thumbscrew
2	03-1642-08	Hex insert
3	03-3943-01	Screw, #8
4	A40584-021	Back panel
5	A40585-001	Lower back panel
6	03-3836-03	Screw
7	03-1404-12	Screw
8	A40589-001	Right side panel
9	02-4952-01	Air filter
10	02-4951-01	Louvered grill
11	A40589-002	Left side panel
12	02-4962-01	Inner top panel
13	02-4948-01	Top frame
14	02-4963-01	Insulation
15	A40593-021	Top panel

# Model UF424 and UN324 Service Parts

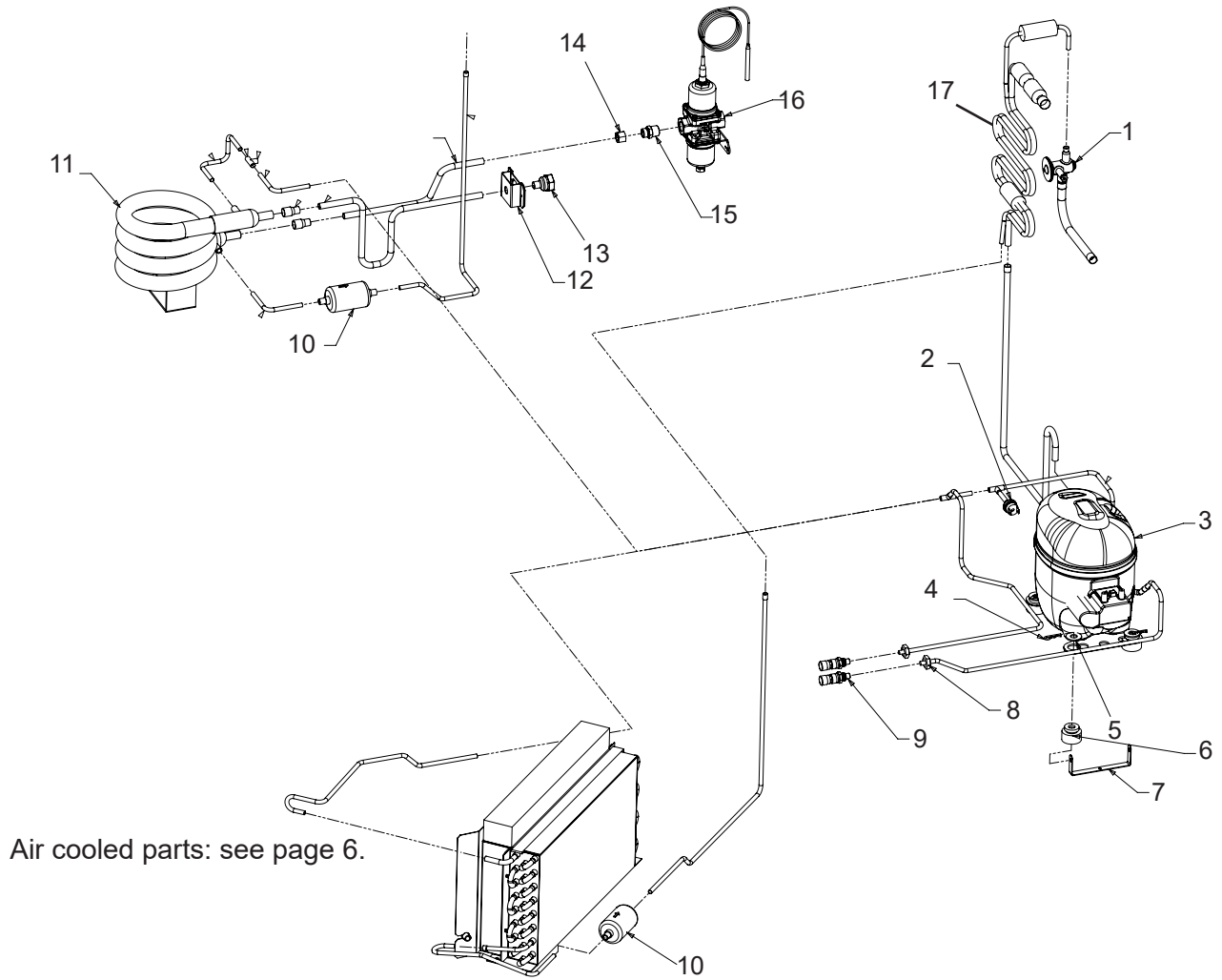
## Inner Cabinet, Water Tubing and Reservoir



Item	Part Number	Description
1	02-4946-21	Door assembly
2	12-3128-01	Bin Sensors
3	03-3941-01	Bushing
4	A40665-001	Water inlet tube assembly
5	A40666-001	Water sensor
6	02-4953-01	Reservoir bracket
7	02-4961-01	Evap water inlet tubing
8	16-1150-01	Water inlet, 50 Hz only
9	03-1394-01	Pal nut
10	A40668-004	Foamed bin
11	03-3892-01	Thumb screw
12	02-4997-01	Overflow tube
13	02-4949-01	Compartment cover
14	13-0964-01	Bin sensor grommet
15	02-4381-03	Retaining clip
16	03-3836-04	Screw
17	03-0727-05	Screw
18	A40664-001	Reservoir
18a	02-4955-01	Knob
18b	02-2217-02	Float valve only, part of item 18

# Model UF424 and UN324 Service Parts

## Refrigeration and Water Cooled Condensing



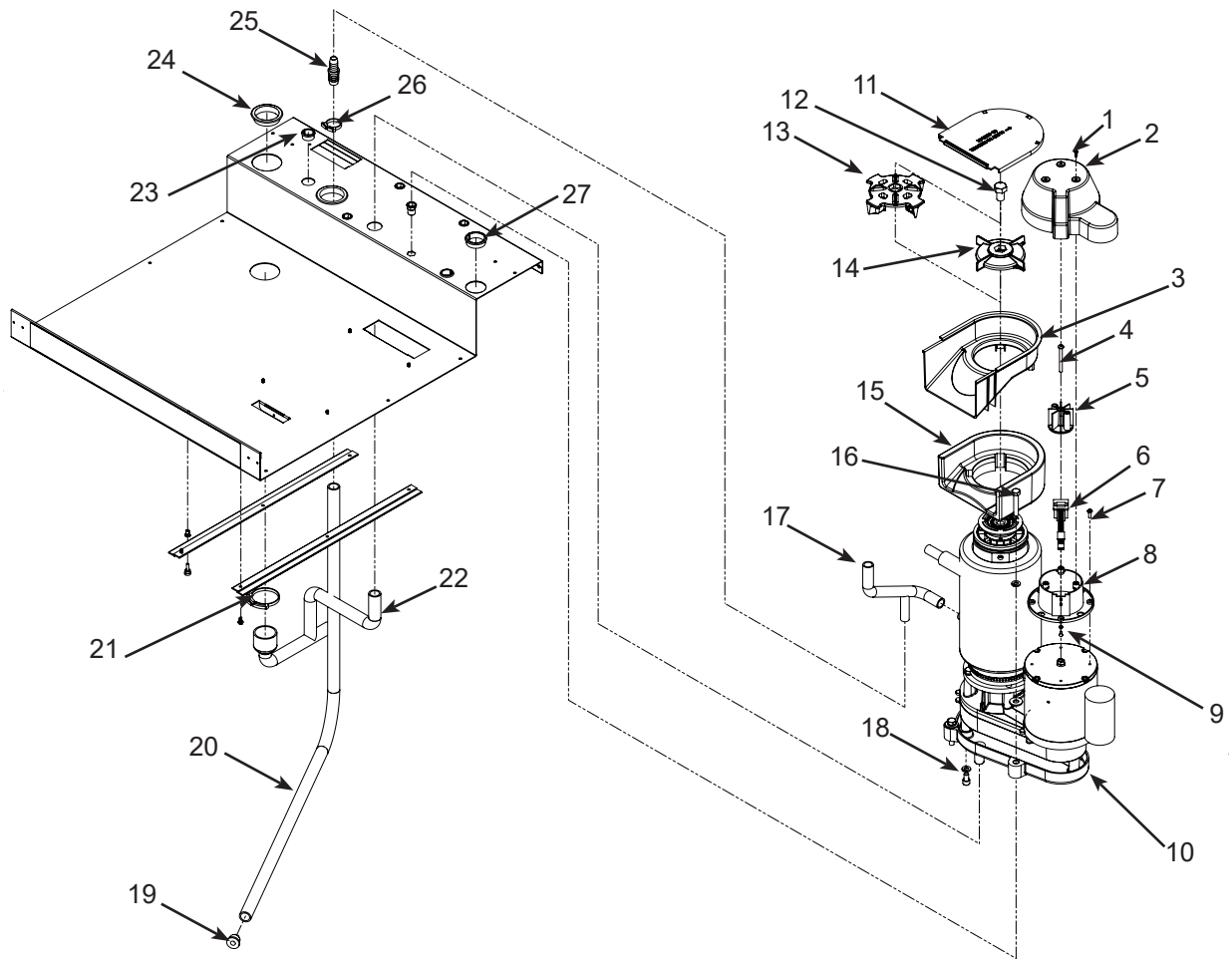
Air cooled parts: see page 6.

Item	Part Number	Description
1	16-1214-02	Thermostatic expansion valve
	19-0599-06	Insulation for TXV
2	11-0501-24	Hi pressure cut out (260 PSIG)
3	18-8979-21	Compressor, 115 volt, 60 Hz*
	18-8979-26	Compressor, 230 volt, 50 Hz*
3a	18-8979-41	Overload for 115 volt, 60 Hz
	18-8979-51	Overload for 230 volt, 50 Hz
4	03-3821-01	Clip
5	03-1407-08	Washer
6	18-4700-28	Grommet
7	A40002-001	Comp mounting bracket
8	03-3905-01	Jam nut
9	16-1138-01	Valve body
	16-1139-01	Valve core
	16-1140-01	Valve cap
10	02-3319-01	Dryer
11	18-8869-01	Water cooled condenser
12	A39550-002	Drain bracket
13	16-1154-02	Condenser drain fitting
14	16-1217-01	Nut
15	16-1215-01	Fitting
16	11-0608-02	Water regulating valve
17	A40600-001	Heat exchanger

\* Compressor kits include starting components.

# Model UF424 and UN324 Service Parts

## Drains and Ice Making Components

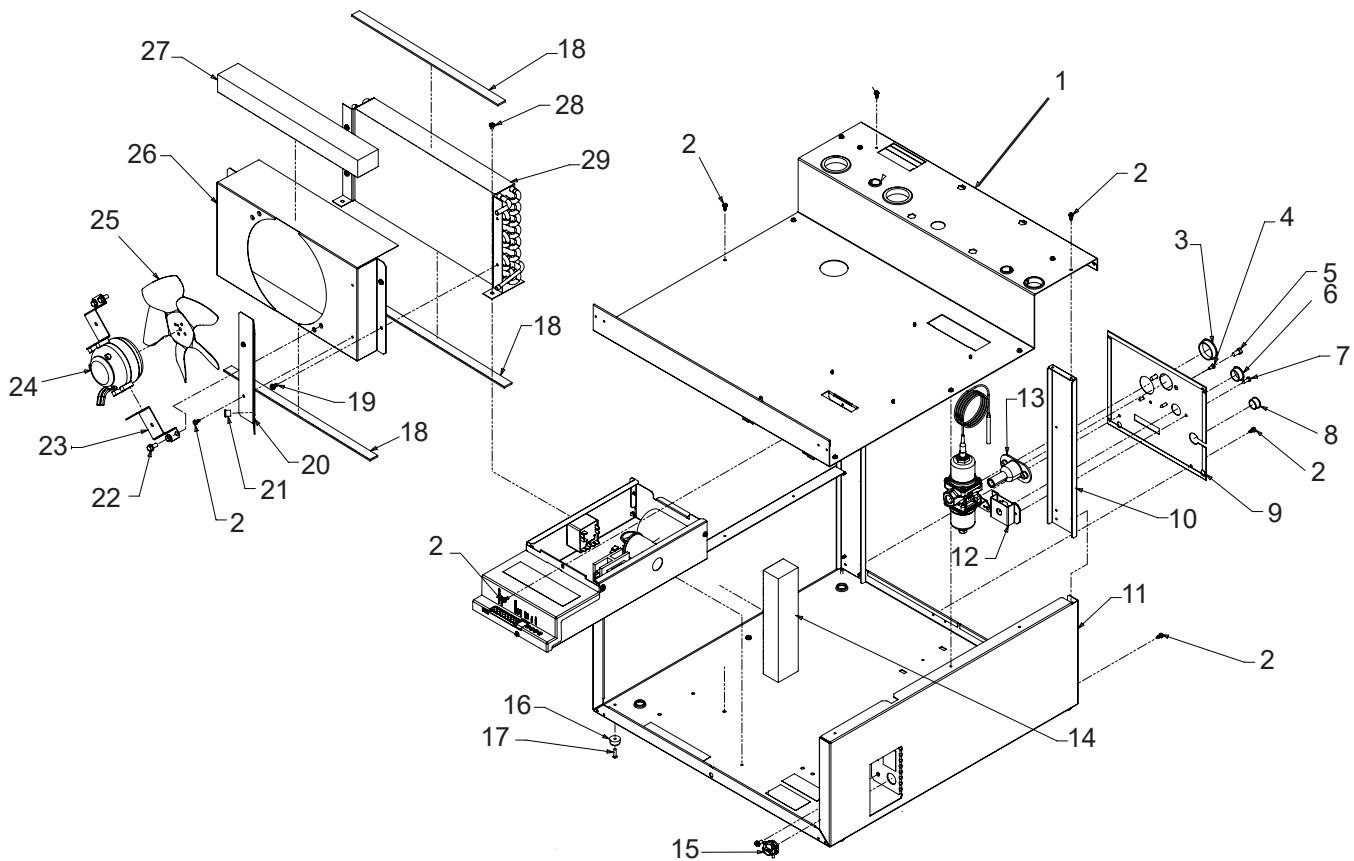


Item	Part Number	Description
1	03-3836-04	Screw
2	02-4797-01	Motor cover
3	02-4760-01	Chute
4	03-1403-70	Bolt*
5	02-4791-02	Magnet holder
6	12-3089-02	Rotation sensor with harness
7	03-1403-29	Screw
8	02-4791-01	Sensor holder
9	03-1410-01	Lockwasher
10	02-4804-01	Drain pan
11	02-4802-01	Ice chute cover
12	03-1405-52	Bolt
13	02-4985-01	Ice sweep, flaker (UF)
14	02-4745-01	Ice sweep, nugget (UN)
15	02-4760-01	Chute body
16	02-4761-01	Chute insulation
17	03-1405-40	Mounting bolt
18	02-4961-01	Evaporator water inlet tube
19	03-1544-09	Screw, socket head
20	13-0840-01	Drain plug
21	02-4954-01	Drain tube
22	02-2814-13	Hose clamp
23	02-4954-01	Bin drain tube
24	12-1213-10	Snap bushing
25	12-1213-15	Snap bushing
26	16-1213-02	Barbed adapter
27	02-2814-09	Hose clamp
28	12-1213-20	Snap bushing
	02-4873-01	Wrench to hold motor shaft when removing item 4

\*A cordless impact driver can be used to remove or tighten the #4 retaining screw. #28 is an optional thin wrench to hold motor shaft.

# Model UF424 and UN324 Service Parts

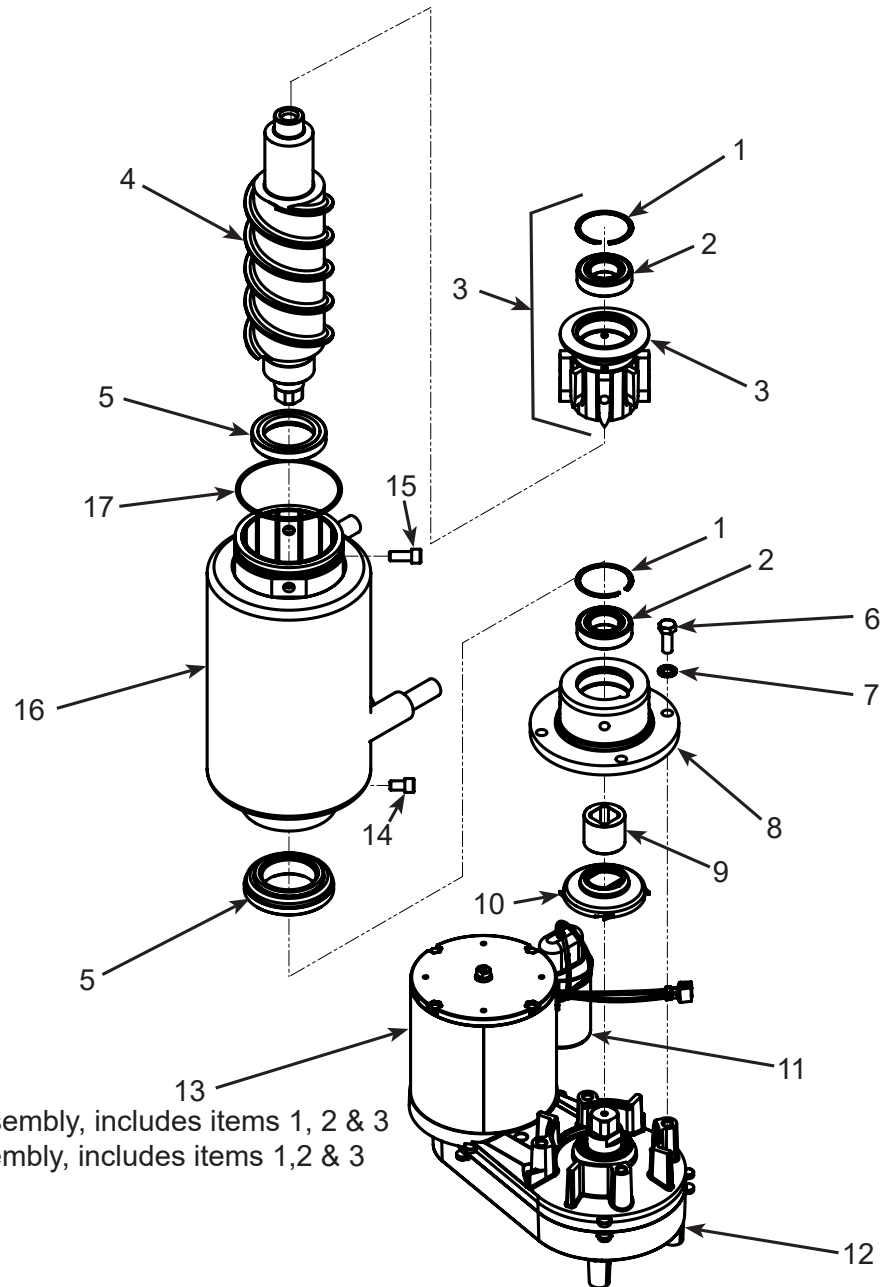
## Base Top and Air Cooled Condensing



Item	Part Number	Description
1	A40583-001	Base top
2	03-3943-01	Screw
3	02-1875-25	Hole plug
4	03-1403-16	Screw
5	03-0571-00	Screw
6	03-1875-21	Hole plug
7	03-1404-12	Screw
8	12-1213-10	Snap bushing
9	A40587-001	Utility panel
10	A40586-001	Gear box support
11	A40582-001	Base pan
12	A39550-002	Drain bracket
13	02-3692-01	Drain adapter
14	16-0655-03	Gasket tape, each per foot
15	12-0350-00	Strain relief
16	03-3940-01	Plastic glide
17	03-1531-08	Screw
18	13-0609-00	Shroud tape, 15" req.
19	03-3943-02	Screw
20	A40750-001	Air flow barrier
21	12-1213-04	Snap bushing
22	03-1645-01	Cap screw
23	A40323-002	Motor bracket
24	12-2989-01	Fan motor, 115 volt, 60 Hz
	12-2989-02	Fan motor, 230 volt, 50 Hz
25	18-8708-01	Fan blade
26	A40592-001	Fan shroud
27	19-0655-03	Shroud tape
28	03-3963-02	Screw
29	18-8942-01	Air cooled condenser

# Model UF424 and UN324 Service Parts

## Auger, Water Seal, Gear Reducer, Bearings



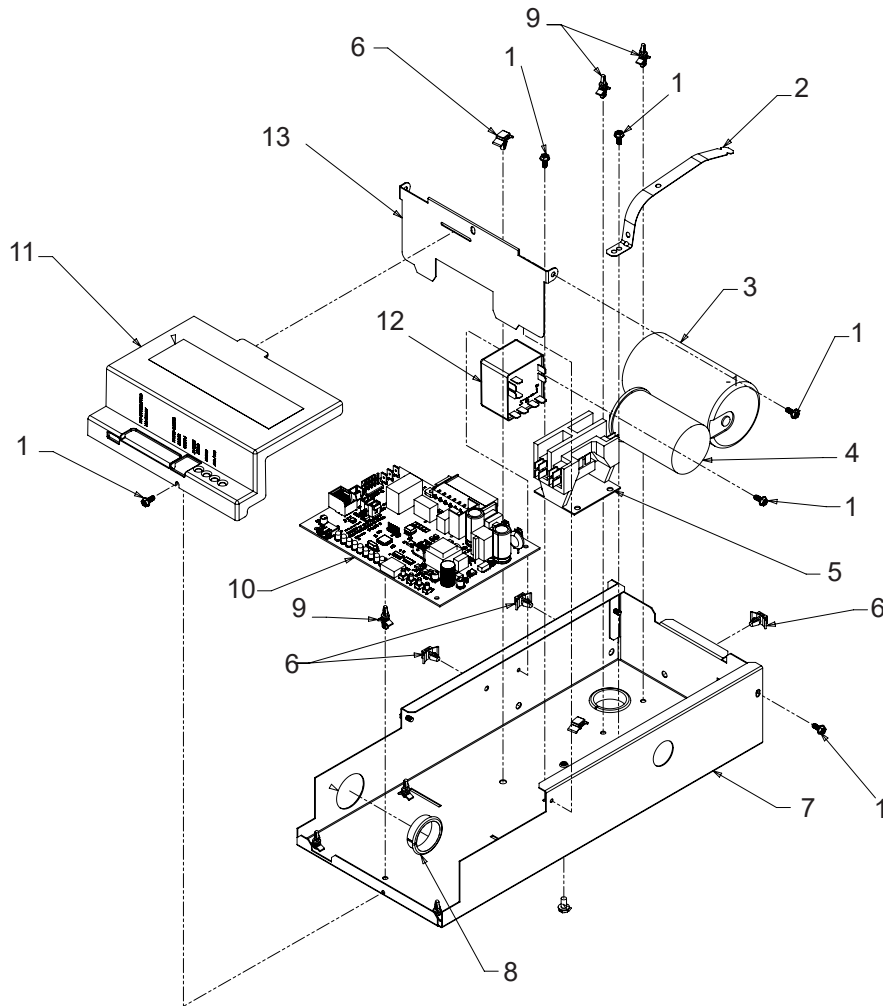
Item	Part Number	Description
1	03-3953-01	Retaining ring
2	02-4843-23	Bearing
3	A40173-001	Nugget Extruder assembly, includes items 1, 2 & 3
	A40173-002	Flaker extruder assembly, includes items 1,2 & 3
4	02-4840-21	Auger
5	02-0929-23	Water seal
6	03-1405-38	Cap screw
7	03-1417-13	Lockwasher
8	A40174-001	Adapter, includes items 1, 2 and 8
9	02-4838-01	Coupling
10	02-4786-01	Water shed
11	12-3083-24	Capacitor, 115 volt models
	12-3083-25	Capacitor, 50 Hz models
12	12-3083-21	Gear reducer complete, for 115 volt models
	12-3083-22	Gear reducer complete, for 50 Hz models
12a	12-3083-23	Gear reducer, no motor
13	12-3083-31	Auger drive motor, for 115 volt models
	12-3083-32	Auger drive motor, for 50 Hz models
14	03-1544-09	Socket hd cap screw, 1/2 inch long
15	03-1544-08	Socket hd cap screw, 3/4 inch long
16	02-4758-21	Evaporator
17	13-0617-52	O-ring

Note: Bearings and water seal should be replaced as a set. Do not substitute non-OEM bearings. Do not lubricate bearings. Bearings may be pushed out of their retainer.

Remove extruder first to remove auger. Attach ice sweep to lift auger. Auger motor note: Motor shipped attached to gear reducer cover. Cover not intended for replacement, used only for shipment. Remove motor from cover and discard cover. 12a ships with separate 11 oz oil charge.

# Model UF424 and UN324 Service Parts

## Control Box



Item	Part Number	Description
1	03-3943-01	Screw
2	A37366-001	Strap
3	18-1901-58	Start capacitor, for 115/60
	18-1901-56	Start capacitor for 230/50
4	18-1902-69	Run capacitor for 115/60
	18-1902-72	Run capacitor for 230/50
5	12-2469-03	Contactor for 115/60
	12-2469-02	Contactor for 230/50
6	02-3112-01	Wire mount
7	A40612-001	Control box, box only
8	12-1213-20	Snap bushing
9	03-1727-02	Stand off
10	11-0612-52	Controller
11	02-4830-02	Cover
12	18-1903-73	Potential relay, for 115/60
	18-1903-74	Potential relay, for 230/50
13	A40618-001	Barrier

### Wire Harnesses (not illustrated)

12-1638-30	Power cord, 115 volt, 60 Hz
12-1638-31	Power cord, 230 volt, 50 Hz
12-3127-01	Fan harness
12-3089-02	Rotation sensor with harness
12-3129-01	Hi voltage harness
12-3128-02	Bin and water sensor harness



# Model UF424 and UN324 Service Parts

## Wiring Diagram

