

SERVER

• E S S E N T I A L S •

Fountain Jar Pumps Stainless Steel Pumps

SPECIFICATION SHEET

FAST FACTS

Stainless Steel Fountain Jar Pumps are available to fit 2 qt or 3 1/2 qt standard fountain jars (sold separately) and dispense 1 oz max portions adjustable in 1/8 oz increments*.

APPLICATIONS

- Dispense syrups, sauces, concentrates or other ingredients from a fountain jar with precise portion control
- Models for countertop, drop-in or fountainette applications

DETAILS

- Models for countertop, drop-in or slanted fountainette applications, for standard 2 qt or 3 1/2 qt fountain jars
- Manage food costs and flavor with precise portion-control
- Drop-in models feature a higher discharge point for additional serving clearance
- NSF listed, clean-in-place certified or disassemble for cleaning
- Thick Pump (TP) and Lever Pump (TPV-L) models reduce dispensing force needed when working with especially thick or thicker products
- Use interchangeable colored, engraved knob to identify products; black is standard (details on p 4)



2 QT FOUNTAIN JARS

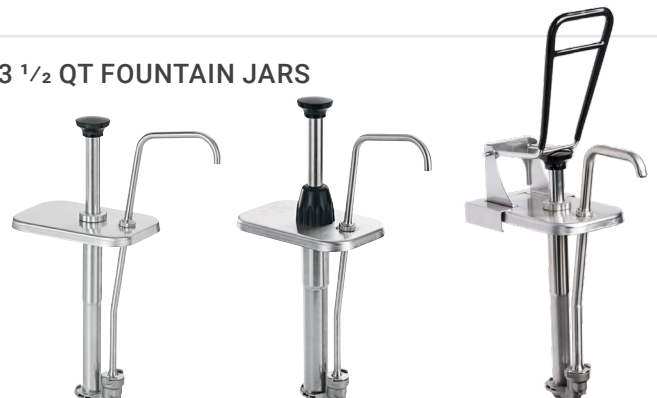


CP-200 2 oz 87610

FP-200V 82130

FP-200 82100

3 1/2 QT FOUNTAIN JARS



CP-F 83330

CP-F 2 oz 87660

TPV-L 80879

Purposefully made to last.

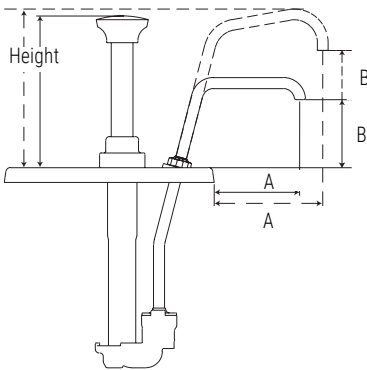
SEE TABLE FOR APPLICABLE TRAITS BY MODEL	
DISPENSES KEY	THIN fountain syrups • oils • hot sauce
	THICK ketchup • mustard • mayo • bbq
	THICKER tartar sauce • crafted sauces
APP KEY	AMBIENT COLD HOT

STAINLESS STEEL 2-QT FOUNTAIN JAR PUMP MODELS: CP-200, FP-200V, TP-200V, FP-200 & FP-200DI

Server stainless steel pumps for 2 qt fountain jars dispense thin, thick, or thicker craft sauces from a countertop or drop-in station or slanted fountainette. Models with a 1 oz maximum portion can reduce in 1/8 oz increments; 2 oz models adjust to serve 1 3/4, 1 1/2 or 1 1/4 oz with included collars. NSF listed, clean-in-place certified and BPA Free. Two-year warranty.



CP-200, FP-200V, TP-200V, FP-200 & FP-200 DI



CP-200 2 oz 87610



FP-200V 82130



FP-200 82100

order amt	dispenses	model/item	application	pump & lid fit (jar not incl.)	full portion	dimensions (above jar)	weight	dim a	dim b
<input type="checkbox"/>		CP-200 83300		2 qt fountain jar, shallow	1 oz	5 1/2" x 4 1/2" x 7 1/8"	3 lb	3 7/8"	4 1/8"
<input type="checkbox"/>		CP-200 2 oz 87610			2 oz	6 1/8" x 4 1/2" x 7 1/8"			
<input type="checkbox"/>		FP-200V 82130		2 qt fountain jar, shallow	1 oz	5 1/8" x 4 1/2" x 7 1/8"	3 lb	2 7/8"	2 5/16"
<input type="checkbox"/>		TP-200V 86750							
<input type="checkbox"/>		FP-200 82100		2 qt jar, shallow (angled)	1 oz	5 1/8" x 4 1/2" x 7 1/8"	3 lb	2 1/8"	2 7/8"
<input type="checkbox"/>		FP-200 DI 80030		2 qt jar, shallow (angled & drop-in use)	1 oz	5 13/16" x 4 1/2" x 7 1/8"	3 lb	2 3/4"	5 5/16"

Dispensers above fit a standard shallow fountain jar; available in white, black and orange (featured on p 4).

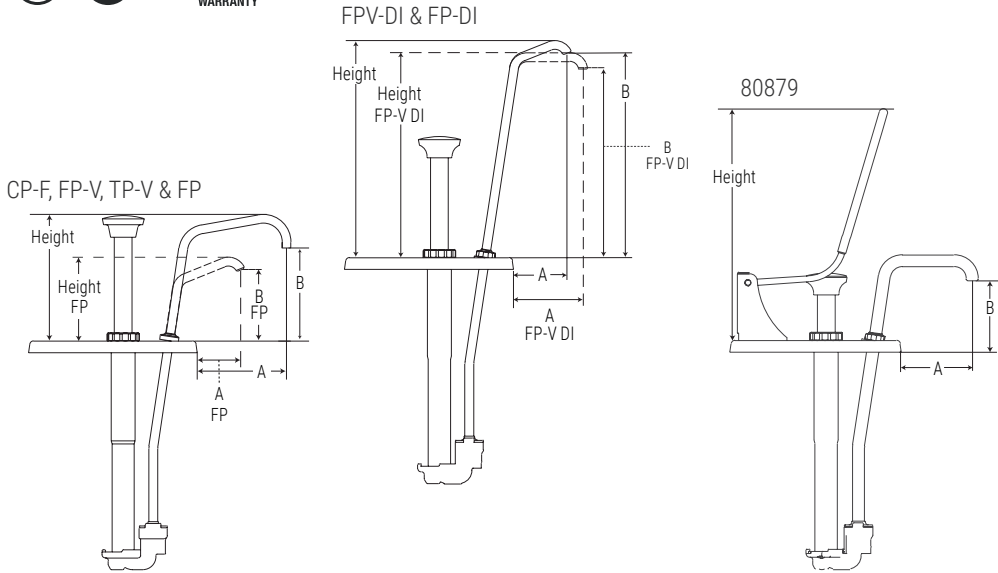
GET OUT ALL THE GOOD WITH STAINLESS STEEL FOUNTAIN JAR PUMPS
 SERVER-PRODUCTS.COM | 800.558.8722 | 262.628.5600

Purposefully made to last.

SEE TABLE FOR APPLICABLE TRAITS BY MODEL	
DISPENSES KEY	THIN fountain syrups • oils • hot sauce
	THICK ketchup • mustard • mayo • bbq
	THICKER tartar sauce • crafted sauces
APP KEY	AMBIENT COLD HOT

STAINLESS STEEL 2-QT FOUNTAIN JAR PUMP MODELS: CP-F, FP-V, TP-V, FPV-DI, FP, FP-DI & TPV-L

Server stainless steel pumps for 3 1/2 qt fountain jars dispense thin, thick, or thicker craft sauces from a countertop station or slanted fountainette. Models with a 1 1/4 oz maximum portion reduces in 1/8 oz increments; 2 oz models adjust to serve 1 3/4, 1 1/2 or 1 1/4 oz with included collars. Model TPV-L maximum 1 oz portion reduces in 1/8 oz increments. NSF listed and clean-in-place certified. BPA free. Two-year warranty.



order amt	dispenses	model/item	application	pump & lid fit (jar not incl.)	full portion	above jar dims (H x W x D)	weight	dim a	dim b
<input type="checkbox"/>		CP-F 83330		3 1/2 qt fountain jar, deep	1 1/4 oz	5 1/2" x 4 1/2" x 7 1/8"	3 lb	3 7/8"	4"
<input type="checkbox"/>		CP-F 2 oz 87660			2 oz	6 1/8" x 4 1/2" x 7 1/8"			
<input type="checkbox"/>		FP-V 82120			1 1/4 oz	5 1/8" x 4 1/2" x 7 1/8"		2 7/8"	2 9/16"
<input type="checkbox"/>		TP-V 86760		3 1/2 qt fountain jar, deep (use DI model for drop-in)			3 lb		
<input type="checkbox"/>		FPV-DI 82520			1 1/4 oz	9 1/4" x 4 1/2" x 7 1/8"		3"	8 1/2"
<input type="checkbox"/>		FP 82070		3 1/2 qt jar, deep (angled) (use DI model for drop-in)	1 1/4 oz	5 1/8" x 4 1/2" x 7 1/8"	3 lb	1 7/8"	3"
<input type="checkbox"/>		FP-DI 82990				9 5/16" x 4 1/2" x 7 1/8"		2 1/4"	8 3/4"
<input type="checkbox"/>		TPV-L 80879		3 1/2 qt fountain jar, deep	1 oz	9 15/16" x 4 1/2" x 7 1/8"	4 lb	3 1/16"	2 5/16"

Dispensers above fit a standard shallow fountain jar; available in white, black and orange (featured on p 4).

GET OUT ALL THE GOOD WITH STAINLESS STEEL FOUNTAIN JAR PUMPS
 SERVER-PRODUCTS.COM | 800.558.8722 | 262.628.5600

Purposefully made to last.

STAINLESS STEEL FOUNTAIN JAR PUMPS—RELATED ITEMS

FOUNTAIN JARS

High-impact polypropylene standard fountain jars feature molded-in feet to prevent tipping during filling. Tabs and side slots allow lids to fit securely; front notch allows lid to close over ladle or spoon handle. Fountain jars can be dropped into a countertop cutout, or placed into a topping station or fountainette. Cutout dimensions are 4 5/16" x 7" for both shallow and deep jars; for jar dimensions, see spec sheet 02158.



order amt	jar color	item	description	capacity
<input type="checkbox"/>	<input type="checkbox"/>	82558	standard, shallow fountain jar	2 qt
<input type="checkbox"/>	<input type="checkbox"/>	83147		
<input type="checkbox"/>	<input type="checkbox"/>	83148		
<input type="checkbox"/>	<input type="checkbox"/>	82557	standard, deep fountain jar	3 1/2 qt
<input type="checkbox"/>	<input type="checkbox"/>	83149		
<input type="checkbox"/>	<input type="checkbox"/>	83156		

COLORED KNOBS

Interchangeable engraved and colored knobs help staff and patrons identify contents, coordinate with store themes or promote branded products. (Specify color* and text at time of order.)



STAINLESS STEEL FOUNTAIN JAR PUMPS

Slim fountain jars allow you to offer more topping in the same amount of space. Create a customized station using slim, standard or both slim and standard stainless steel fountain jar pumps. See how at www.server-products.com/Equipment/Topping-Stations.



GET OUT ALL THE GOOD WITH STAINLESS STEEL FOUNTAIN JAR PUMPS
 SERVER-PRODUCTS.COM | 800.558.8722 | 262.628.5600