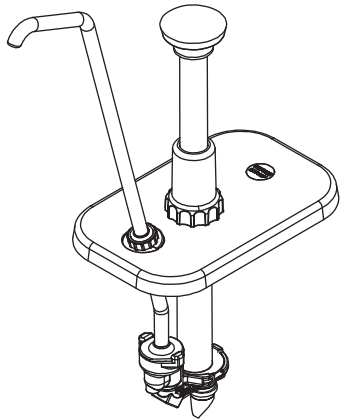


83141

Fountain Pump Express Connection, FP-200-DI



Complete View for Reference

PART	QTY	DESCRIPTION
82023	1	KNOB
83412	1	COLLAR, LOCKING
82022	3	COLLAR, GAGING- .25 OZ REDUCTION
83529	1	COLLAR, GAGING- .125 OZ REDUCTION
82017	1	TUBE, HEAD
82018	1	INSERT, HEAD
82016	1	SPRING, 7"
82015	1	WASHER
82013	1	PISTON
83003	1	SEAL ASSEMBLY
83144	1	LID, FP-200 DI
82027	1	NUT, DISCHARGE TUBE
83142	1	TUBE, DISCHARGE ASSEMBLY
05127	1	O-RING, 1"
82362	1	CYLINDER ASSEMBLY
88554	1	GASKET, SILICONE
82635	1	BODY, VALVE ASSEMBLY, CONNECTOR
40179	1	LUBRICANT, FOOD EQUIPMENT
82049	1	BRUSH, 11"
82526	1	BRUSH, 21"

