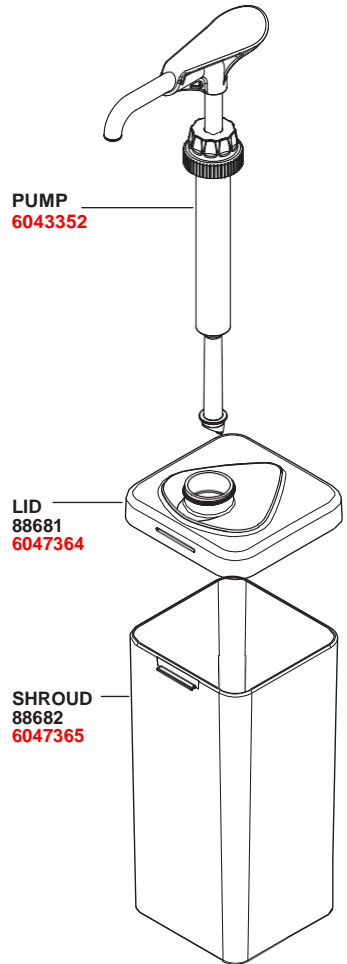
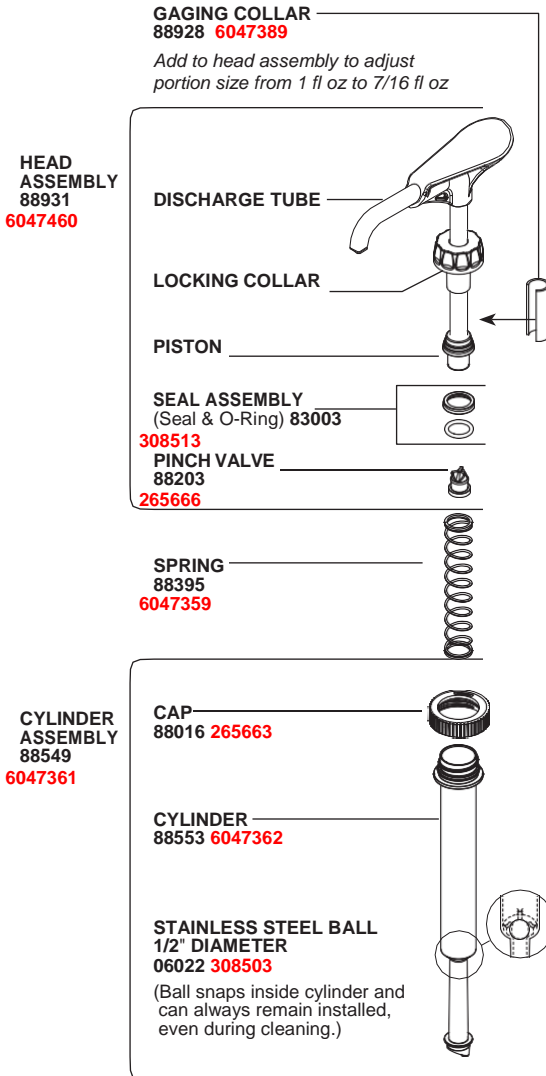


# ECO DISPENSER™ PARTS

PUMP MODEL: BP-1  
**PUMP 88927**  
**Pump Only 6043352**

UNIT MODEL: SPP  
**COMPLETE UNIT 88925**



**FOOD EQUIPMENT LUBRICANT 40179 256383**

**11" BRUSH 82049 308524**

