



# T&S BRASS AND BRONZE WORKS, INC.

2 Saddleback Cove / P.O. Box 1088  
Travelers Rest, SC 29690



REG. #A2601  
ISO #9001

Model No.

**B-0044-H**

Item No.

Travelers Rest, SC: 800-476-4103 • Simi Valley, CA: 800-423-0150 • Fax: 864-834-3518 • www.tsbrass.com

This Space for Architect/Engineer Approval

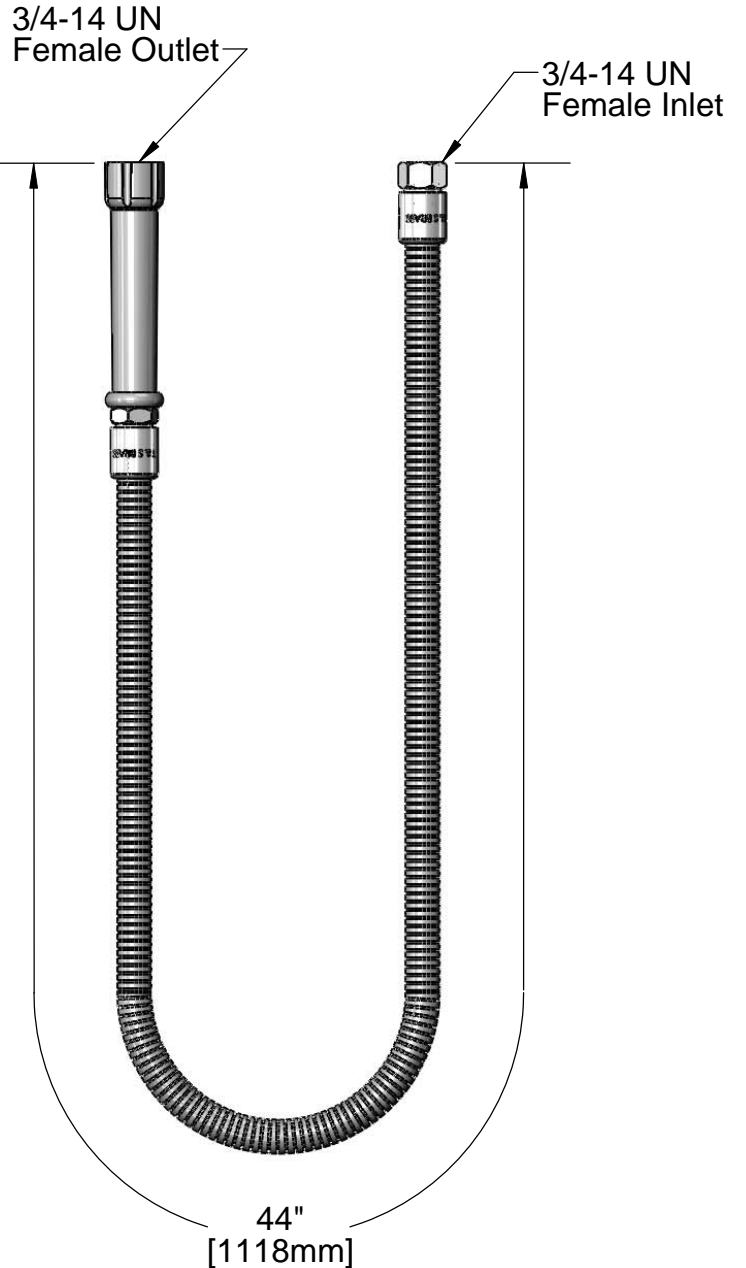
Job Name \_\_\_\_\_ Date \_\_\_\_\_

Model Specified \_\_\_\_\_ Quantity \_\_\_\_\_

Customer/Wholesaler \_\_\_\_\_

Contractor \_\_\_\_\_

Architect/Engineer \_\_\_\_\_



(2) 010476-45  
Washers Furnished  
w/ Hose

Product Specifications:  
44" Flexible Stainless Steel Hose Assembly  
w/ Gray Handle & Inner Polyurethane Hose

Drawn  
DHL

Checked  
JRM

Approved  
JHB

Scale:  
1:4

Date:  
03/22/11



# T&S BRASS AND BRONZE WORKS, INC.

2 Saddleback Cove / P.O. Box 1088  
Travelers Rest, SC 29690



REG. #A2601  
ISO #9001

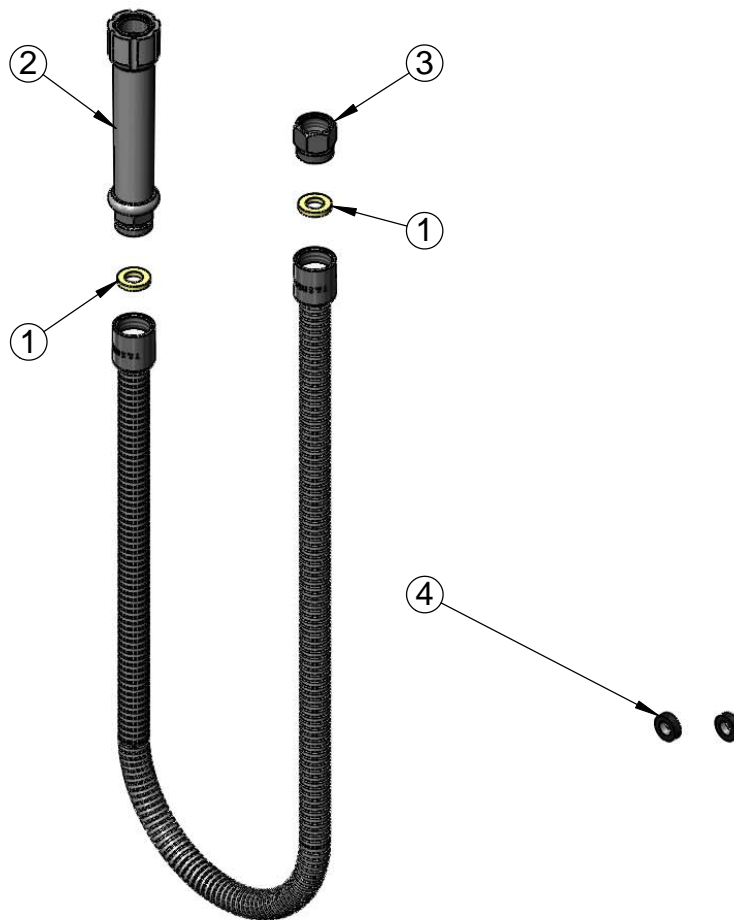
Model No.

**B-0044-H**

Item No.

Travelers Rest, SC: 800-476-4103 • Simi Valley, CA: 800-423-0150 • Fax: 864-834-3518 • www.tsbrass.com

| ITEM NO. | SALES NO. | DESCRIPTION                        |
|----------|-----------|------------------------------------|
| 1        | 001014-45 | Washer, B-0100 Hose Barrel         |
| 2        | 002987-40 | Grip Handle Assembly               |
| 3        | 000729-40 | Nut, 7/8"-20 Male x 3/4"-14 Female |
| 4        | 010476-45 | #27 Washer                         |



Product Specifications:  
44" Flexible Stainless Steel Hose Assembly  
w/ Gray Handle & Inner Polyurethane Hose

Drawn

DHL

Checked

JRM

Approved

JHB

Scale:

NTS

Date:

03/22/11