



CATALOG OF REPLACEMENT PARTS

MOBILE FILTER

MODELS

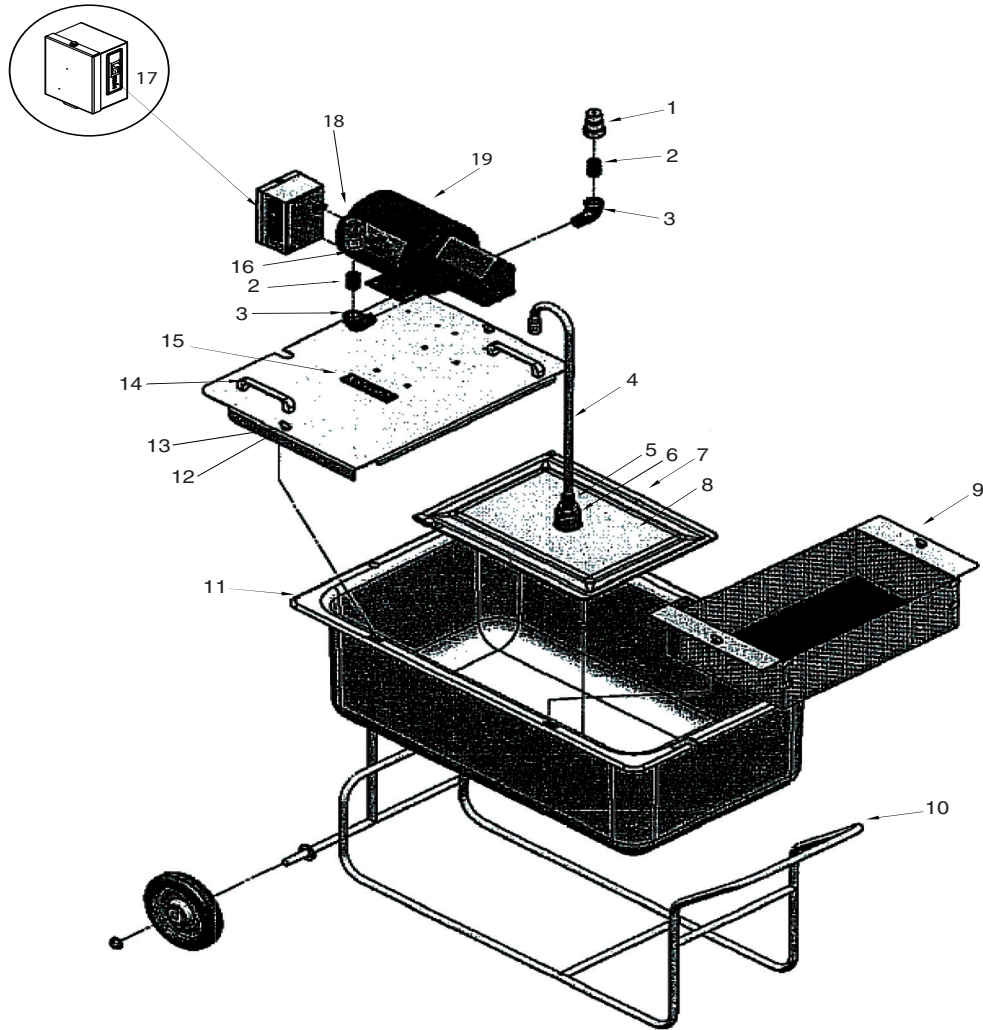
MF-1

ML-136873



For additional information on Vulcan-Hart or to locate an authorized parts and service provider in your area, visit our website at www.vulcanequipment.com

MF-1 MOBILE FILTER REPLACEMENT PARTS



FILTER COMPONENTS

ILLUS.	PART NO.	NAME OF PART	AMT.
1	00-418781-00001	Disconnect, Male	1
2	FP-035-91	Nipple	2
3	FP-013-17	Elbow	2
4	00-956901-000G9	Tube, "S" Suction (Includes Item 5, 6 and Knob Listed Below)	1
5	NS-017-49	Nut	1
6	00-499083-00002	Coupling, Suction	1
7	00-499087-00001	Screen, Filter	1
8	00-499085-00001	Insert, Filter	1
9	00-426606-000G8	Basket, Scrap	1
10	00-956918-000G1	Frame, Mobile Filter	1
11	00-497374-000G3	Pan, Filter	1
12	00-958551-00001	Wing Screw	4
13	00-958551-00002	Retainer	4
14	00-416936-00002	Handle	2
15	00-417700-00002	Nameplate	1
16	00-426567-00002	O-Ring	2
17	00-411496-00B10	Rocker Switch	1
18	00-426567-00004	Suction Receptacle	1
19	00-417792-00005	Pump & Motor	1
Not Shown:			
	00-499084-00002	Knob, Suction Port	1
	00-958235-00001	Receptacle, Power	1
	00-422281-00008	Hose, Discard (4 Ft.)	1
Units with Retrofit Kit (Items 7 and 8 not used):			
	00-499086-000G1	Filter, KleenScreen <i>PLUS</i> [®] (3-pack)	1
	00-499085-00002	Insert, KleenScreen <i>PLUS</i> [®]	1
	00-499089-00001	Clip, Filter Envelope	1

NOTES